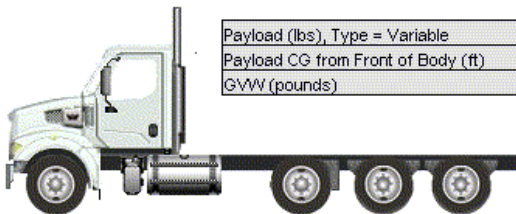
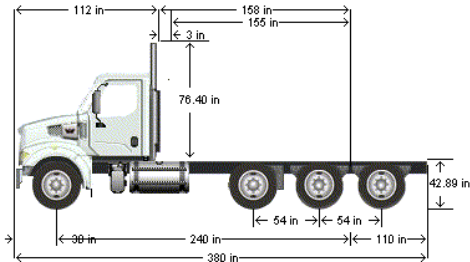


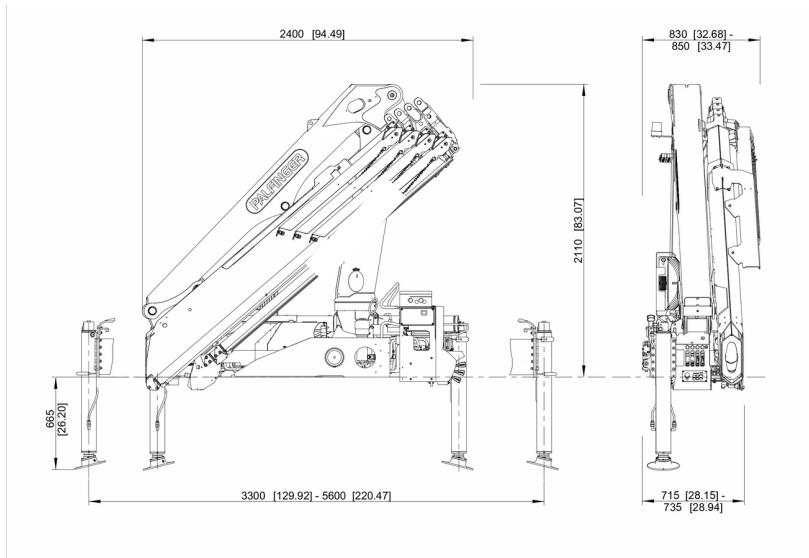
## Attachment B

### Large Scale Truck Specifications/ Knuckle Boom Crane Specifications

These are approximate dimensions of the truck that the equipment will be installed on.



Front 9796                      Pusher 2296                      Rear 11848



For Knuckle Boom Crane Specs – please see the above diagrams.

The bidden item needs to be an accepted equivalent to these specs.

The crane needs a Max Lifting Moment up to 82,000 lbs., Max Lifting Capacity up to 12,000 lbs., and a Max Hydraulic Outreach of 39 feet.