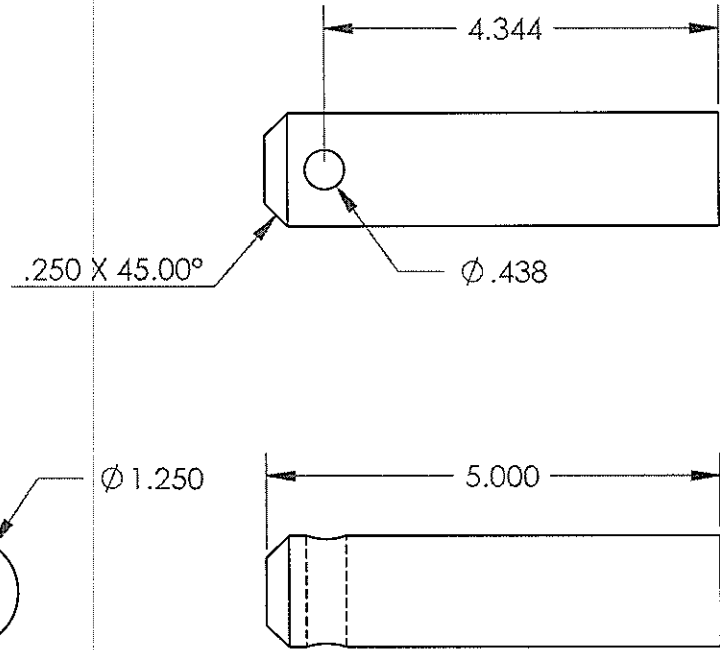


truck bracket - plate
1/2" Steel



truck bracket - rod
1-1/4" Steel Rod

PROPRIETARY AND CONFIDENTIAL
THE INFORMATION CONTAINED IN THIS DRAWING IS THE SOLE PROPERTY OF <INSERT COMPANY NAME HERE>. ANY REPRODUCTION IN PART OR AS A WHOLE WITHOUT THE WRITTEN PERMISSION OF <INSERT COMPANY NAME HERE> IS PROHIBITED.

		UNLESS OTHERWISE SPECIFIED:		NAME	DATE
		DIMENSIONS ARE IN INCHES		DRAWN	
		TOLERANCES:		CHECKED	
		FRACTIONAL ±		ENG APPR.	
		ANGULAR: MACH ± BEND ±		MFG APPR.	
		TWO PLACE DECIMAL ±		Q.A.	
		THREE PLACE DECIMAL ±		COMMENTS:	
		INTERPRET GEOMETRIC TOLERANCING PER:			
		MATERIAL			
		1/2" Steel			
		FINISH			
NEXT ASSY	USED ON	TITLE:			
APPLICATION		DO NOT SCALE DRAWING			
		SIZE	DWG. NO.	REV	
		A	truck parts - assembly		
		SCALE: 1:2	WEIGHT:	SHEET 2 OF 4	