

State of Nebraska - INVITATION TO BID CONTRACT

Return to:
State Purchasing Bureau
1526 K Street, Suite 130
Lincoln, Nebraska 68508

Telephone: 402-471-6500
Fax: 402-471-2089

Date	12/20/17	Page	1 of 2
Solicitation Number	5738 OF		
Opening Date and Time	01/23/18	2:00 pm	
Buyer	RENE BOTTS (AS)		

DESTINATION OF GOODS
DEPARTMENT OF TRANSPORTATION
5001 S 14TH ST
PO BOX 94759
LINCOLN NE 68509-4759

Per Nebraska's Transparency in Government Procurement Act, DAS is required to collect statistical information regarding the number of contracts awarded to Nebraska contractors. This information is for statistical purposes only and will not be considered for contract award purposes.

____ NEBRASKA CONTRACTOR AFFIDAVIT: Bidder hereby attests that bidder is a Nebraska Contractor. "Nebraska Contractor" shall mean any bidder who has maintained a bona fide place of business and at least one employee within this state for at least the six (6) months immediately preceding the posting date of this ITB.

____ I hereby certify that I am a Resident disabled veteran or business located in a designated enterprise zone in accordance with Neb. Rev. Stat. §73-107 and wish to have preference, if applicable, considered in the award of this contract.

Contract to supply and deliver ASPHALT DISTRIBUTOR to the State of Nebraska as per the attached specifications for a two (2) year period from date of award. The contract may be renewed for two (2) additional two (2) year periods when mutually agreeable to the vendor and the State of Nebraska.

(vc 12/18/17)

INVITATION

Line	Description	Quantity	Unit of Measure	Unit Price	Extended Price
1	TRUCK CHASSIS MIN 52,000 GVWR W/ASPHALT DISTRIBUTOR	6.0000	EA	180,991.00	1,085,946.00

CHASSIS MAKE: FREIGHTLINER

MODEL: 108SD

ASPHALT DISTRIBUTOR: ETNYRE

ASPHALT DISTRIBUTOR MODEL: CENTENNIAL

BIDDER MUST COMPLETE THE FOLLOWING

DISCOUNT PAYMENT TERMS: NET % 10 DAYS

By signing this Invitation to Bid form, the bidder guarantees compliance with the provisions stated in this Invitation to Bid, agrees to the terms and conditions unless otherwise agreed to (see Section III) and certifies that bidder maintains a drug free work place environment. Vendor will furnish the items requested within 180-210 days after receipt of order. Failure to enter Delivery Date may cause quotation to be REJECTED.

Sign *Bill Collier*
Here (Authorized Signature MANDATORY - MUST BE SIGNED IN INK)

Enter Contact Information Below

VENDOR# _____
VENDOR: TRUCK CENTER COMPANIES
Address: 5701 ARBOR ROAD
LINCOLN, NE 68517

Contact BILL COLLIER
Telephone 402-464-2444
Facsimile 402-464-9166
Email collier@truckcentercompanies.com

State of Nebraska - INVITATION TO BID CONTRACT

Return to:
State Purchasing Bureau
1526 K Street, Suite 130
Lincoln, Nebraska 68508

Telephone: 402-471-6500
Fax: 402-471-2089

Date	12/20/17	Page	2 of 2
Solicitation Number	5738 OF		
Opening Date and Time	01/23/18	2:00 pm	
Buyer	RENE BOTTS (AS)		

DESTINATION OF GOODS
DEPARTMENT OF TRANSPORTATION
5001 S 14TH ST
PO BOX 94759
LINCOLN NE 68509-4759

INVITATION

Line	Description	Quantity	Unit of Measure	Unit Price	Extended Price
	OPTIONS				
2	PARTS CD-ROM FOR CHASSIS AND ENGINE CHASSIS ONLY - ENGONE N/A	6.0000	EA	<u>286.00</u>	<u>1,716.00</u>
3	TRANSMISSION TECHNICAL MANUAL AND AUTOMATIC	6.0000	EA	<u>132.76</u>	<u>796.56</u>
4	TRANSMISSION PARTS MANUAL AND AUTOMATIC	6.0000	EA	<u>52.89</u>	<u>317.34</u>
5	ELECTRICAL WIRING DIAGRAM MANUAL	6.0000	EA	<u>N/C</u>	<u>N/C</u>
6	INCLUDED WITH CHASSIS MANUAL AND AVAILABLE ON LINE ASPHALT DISTRIBUTOR PARTS CD-ROM	6.0000	EA	<u>N/A</u>	<u>N/A</u>
7	DEDUCT FOR NO AIR CONDITIONING	6.0000	EA	<u>N/A</u>	<u>N/A</u>
8	OUTLET FOR VENT AND OVERFLOW FOR ASPHALT DISTRIBUTOR ROUTED	6.0000	EA	<u>475.00</u>	<u>2,850.00</u>
9	OPTION FOR 16 FOOT SPRAY BAR	6.0000	EA	<u>900.00</u>	<u>5,400.00</u>
10	OPTION FOR 18 FOOT SPRAY BAR	6.0000	EA	<u>1,800.00</u>	<u>10,800.00</u>
11	OPTION FOR 20 FOOT SPRAY BAR	6.0000	EA	<u>3,620.00</u>	<u>21,720.00</u>
12	DEDUCT FOR MANUAL TRANSMISSION	6.0000	EA	<u>2,119.00</u>	<u>12,714.00</u>
13	DEDUCT FOR AUTOMATED MANUAL TRANSMISSION	6.0000	EA	<u>N/A</u>	<u>N/A</u>

II. TERMS AND CONDITIONS

Bidders should complete Sections II through VI as part of their bid.

Bidder is expected to read the Terms and Conditions and must initial either accept, reject, or reject and provide alternative language for each clause. The Bidder should also provide an explanation of why the Bidder rejected the clause or rejected the clause and provided alternate language using 'Track Changes'. Upon request an electronic copy of the bid with 'Track Changes' must be submitted in an editable Word format. By signing the ITB Bidder is agreeing to be legally bound by all the accepted terms and conditions, and any proposed alternative terms and conditions submitted with the bid. The State reserves the right to negotiate rejected or proposed alternative language. If the State and Bidder fail to agree on the final Terms and Conditions, the State reserves the right to reject the bid. The State is soliciting bids in response to the ITB. The State reserves the right to reject bids that attempt to substitute the Bidder's commercial contracts and/or documents for this ITB.

The Bidder should submit with their bid any license, user agreement, service level agreement, or similar documents that the Bidder wants incorporated in the Contract. Upon notice of Intent to Award, the Bidder must submit a copy of these documents in an editable Word format. The State will not consider incorporation of any document not submitted with the Bidder's bid. These documents shall be subject to negotiation and will be incorporated as addendums if agreed to by the Parties.

If a conflict or ambiguity arises after the addendums have been negotiated and agreed to, the addendums shall be interpreted as follows:

1. If only one (1) Party's document has a particular clause then that clause shall control;
2. If both Party's documents have a similar clause, but the clauses do not conflict, the clauses shall be read together;
3. If both Party's documents have a similar clause, but the clauses conflict, the State's clause shall control.

A. GENERAL

Accept (Initial)	Reject (Initial)	Reject & Provide Alternative within ITB Response (Initial)	NOTES/COMMENTS:
BC			

The contract resulting from this ITB shall incorporate the following documents:

1. Invitation to Bid and Addenda;
2. Amendments to the ITB;
3. Questions and Answers;
4. Contractor's bid (ITB);
5. Award;
6. The executed Contract and any Addenda; and,
7. Amendments to the Contract

These documents constitute the entirety of the contract.

Unless otherwise specifically stated in a future contract amendment, in case of any conflict between the incorporated documents, the documents shall govern in the following order of preference with number one (1) receiving preference over all other documents and with each lower numbered document having preference over any higher numbered document: 1) Amendment to the executed Contract with the most recent dated amendment having the highest priority, 2) executed Contract and any attached Addenda, 3) Amendments to ITB and any Questions and Answers, 4) the original ITB document and any Addenda, and 5) the Contractor's submitted Bid.

Any ambiguity or conflict in the contract discovered after its execution, not otherwise addressed herein, shall be resolved in accordance with the rules of contract interpretation as established in the State.

B. GOVERNING LAW

Notwithstanding any other provision of this contract, or any amendment or addendum(s) entered into contemporaneously or at a later time, the parties understand and agree that, (1) the State of Nebraska is a sovereign state and its authority to contract is therefore subject to limitation by the State's Constitution, statutes, common law, and regulation; (2) this contract will be interpreted and enforced under the laws of the State of Nebraska; (3) any action to enforce the provisions of this agreement must be brought in the State of Nebraska per state law; (4) the

person signing this contract on behalf of the State of Nebraska does not have the authority to waive the State's sovereign immunity, statutes, common law, or regulations; (5) the indemnity, limitation of liability, remedy, and other similar provisions of the final contract, if any, are entered into subject to the State's Constitution, statutes, common law, regulations, and sovereign immunity; and, (6) all terms and conditions of the final contract, including but not limited to the clauses concerning third-party use, licenses, warranties, limitations of liability, governing law and venue, usage verification, indemnity, liability, remedy or other similar provisions of the final contract are entered into specifically subject to the State's Constitution, statutes, common law, regulations, and sovereign immunity.

The Parties must comply with all applicable local, state and federal laws, ordinances, rules, orders, and regulations.

C. CHANGE ORDERS OR SUBSTITUTIONS

Accept (Initial)	Reject (Initial)	Reject & Provide Alternative within ITB Response (Initial)	NOTES/COMMENTS:
BC			

The State and the Contractor, upon the written agreement, may make changes to the contract within the general scope of the ITB. Changes may involve specifications, the quantity of work, or such other items as the State may find necessary or desirable. Corrections of any deliverable, service, or work required pursuant to the contract shall not be deemed a change. The Contractor may not claim forfeiture of the contract by reasons of such changes.

The State or Contractor may prepare a written description of the work required due to the change and the Contractor shall prepare an itemized cost sheet for the change. Changes in work and the amount of compensation to be paid to the Contractor shall be determined in accordance with applicable unit prices if any, a pro-rated value, or through negotiations. The State shall not incur a price increase for changes that should have been included in the Contractor's bid, were foreseeable, or result from difficulties with or failure of the Contractor's bid or performance.

No change shall be implemented by the Contractor until approved by the State, and the Contract is amended to reflect the change and associated costs, if any. If there is a dispute regarding the cost, but both parties agree that immediate implementation is necessary, the change may be implemented, and cost negotiations may continue with both Parties retaining all remedies under the contract and law.

Vendor will not substitute any item that has been awarded without prior written approval of SPB.

D. BREACH

Accept (Initial)	Reject (Initial)	Reject & Provide Alternative within ITB Response (Initial)	NOTES/COMMENTS:
BC			

Either Party may terminate the contract, in whole or in part, if the other Party breaches its duty to perform its obligations under the contract in a timely and proper manner. Termination requires written notice of default and a thirty (30) calendar day (or longer at the non-breaching Party's discretion considering the gravity and nature of the default) cure period. Said notice shall be delivered by Certified Mail, Return Receipt Requested, or in person with proof of delivery. Allowing time to cure a failure or breach of contract does not waive the right to immediately terminate the contract for the same or different contract breach which may occur at a different time.

In case of breach by the Contractor, the State may, without unreasonable delay, make a good faith effort to make a reasonable purchase or contract to purchased goods in substitution of those due from the contractor. The State may recover from the Contractor as damages the difference between the costs of covering the breach. Notwithstanding any clause to the contrary, the State may also recover the contract price together with any incidental or consequential damages defined in UCC Section 2-715, but less expenses saved in consequence of Contractor's breach.

The State's failure to make payment shall not be a breach, and the Contractor shall retain all available statutory remedies. (See Indemnity - Self-Insurance and Payment)

E. NON-WAIVER OF BREACH

Accept (Initial)	Reject (Initial)	Reject & Provide Alternative within ITB Response (Initial)	NOTES/COMMENTS:
BC			

The acceptance of late performance with or without objection or reservation by a Party shall not waive any rights of the Party nor constitute a waiver of the requirement of timely performance of any obligations remaining to be performed.

F. SEVERABILITY

Accept (Initial)	Reject (Initial)	Reject & Provide Alternative within ITB Response (Initial)	NOTES/COMMENTS:
BC			

If any term or condition of the contract is declared by a court of competent jurisdiction to be illegal or in conflict with any law, the validity of the remaining terms and conditions shall not be affected, and the rights and obligations of the parties shall be construed and enforced as if the contract did not contain the provision held to be invalid or illegal.

G. INDEMNIFICATION

Accept (Initial)	Reject (Initial)	Reject & Provide Alternative within ITB Response (Initial)	NOTES/COMMENTS:
BC			

1. GENERAL

The Contractor agrees to defend, indemnify, and hold harmless the State and its employees, volunteers, agents, and its elected and appointed officials ("the indemnified parties") from and against any and all claims, liens, demands, damages, liability, actions, causes of action, losses, judgments, costs, and expenses of every nature, including investigation costs and expenses, settlement costs, and attorney fees and expenses ("the claims"), sustained or asserted against the State for personal injury, death, or property loss or damage, arising out of, resulting from, or attributable to the willful misconduct, negligence, error, or omission of the Contractor, its employees, Subcontractors, consultants, representatives, and agents, resulting from this contract, except to the extent such Contractor liability is attenuated by any action of the State which directly and proximately contributed to the claims.

2. SELF-INSURANCE (Statutory)

The State is self-insured for any loss and purchases excess insurance coverage pursuant to Neb. Rev. Stat. § 81-8,239.01 (Reissue 2008). If there is a presumed loss under the provisions of this agreement, Contractor may file a claim with the Office of Risk Management pursuant to Neb. Rev. Stat. §81-8,829 through 81-8,306 for review by the State Claims Board. The State retains all rights and immunities under the State Miscellaneous (Section 81-8,294), Tort (Section 81-8,209), and Contract Claim Acts (Section 81-8,302), as outlined in Neb. Rev. Stat. § 81-8,209 et seq. and under any other provisions of law and accepts liability under this agreement to the extent provided by law.

H. ATTORNEY'S FEES

Accept (Initial)	Reject (Initial)	Reject & Provide Alternative within ITB Response (Initial)	NOTES/COMMENTS:
BC			

In the event of any litigation, appeal, or other legal action to enforce any provision of the contract, the Parties agree to pay all expenses of such action, as permitted by law and if order by the court, including attorney's fees and costs, if the other party prevails.

I. ASSIGNMENT, SALE, OR MERGER

Accept (Initial)	Reject (Initial)	Reject & Provide Alternative within ITB Response (Initial)	NOTES/COMMENTS:
BC			

Either party may assign the contract upon mutual written agreement of the other party. Such agreement shall not be unreasonably withheld.

The Contractor retains the right to enter into a sale, merger, acquisition, internal reorganization, or similar transaction involving Contractor's business. Contractor agrees to cooperate with the State in executing amendments to the contract to allow for the transaction. If a third party or entity is involved in the transaction, the Contractor will remain responsible for performance of the contract until such time as the person or entity involved in the transaction agrees in writing to be contractually bound by this contract and perform all obligations of the contract.

J. CONTRACTING WITH OTHER POLITICAL SUB-DIVISIONS OF THE STATE OR ANOTHER STATE

Accept (Initial)	Reject (Initial)	Reject & Provide Alternative within ITB Response (Initial)	NOTES/COMMENTS:
BC			

The Contractor may, but shall not be required to, allow agencies, as defined in Neb. Rev. Stat. §81-145, to use this contract. The terms and conditions, including price, of the contract may not be amended. The State shall not be contractually obligated or liable for any contract entered into pursuant to this clause.

The Contractor may, but shall not be required to, allow other states, agencies or divisions of other states, or political subdivisions of other states to use this contract. The terms and conditions, including price, of this contract shall apply to any such contract, but may be amended upon mutual consent of the Parties. The State of Nebraska shall not be contractually or otherwise obligated or liable under any contract entered into pursuant to this clause. The State shall be notified if a contract is executed based upon this contract.

K. FORCE MAJEURE

Accept (Initial)	Reject (Initial)	Reject & Provide Alternative within ITB Response (Initial)	NOTES/COMMENTS:
BC			

Neither party shall be liable for any costs or damages, or for default resulting from its inability to perform any of its obligations under the contract due to a natural or manmade event outside the control and not the fault of the affected party ("Force Majeure Event"). The Party so affected shall immediately make a written request for relief to the other party, and shall have the burden of proof to justify the request. The other Party may granted the relief requested; relief may not be unreasonably withheld. Labor disputes with the impacted party's own employees will not be considered a Force Majeure Event.

L. EARLY TERMINATION

Accept (Initial)	Reject (Initial)	Reject & Provide Alternative within ITB Response (Initial)	NOTES/COMMENTS:
BC			

The contract may be terminated as follows:

1. The State and the Contractor, by mutual written agreement, may terminate the contract at any time.
2. The State, at its sole discretion, may terminate the contract for any reason upon thirty (30) calendar day's written notice to the Contractor. Such termination shall not relieve the Contractor of warranty or other service obligations incurred under the terms of the contract. In the event of termination the Contractor shall be entitled to payment, determined on a pro rata basis, for products or services satisfactorily performed or provided.
3. The State may terminate the contract immediately for the following reasons:
 - a. if directed to do so by statute;
 - b. Contractor has made an assignment for the benefit of creditors, has admitted in writing its inability to pay debts as they mature, or has ceased operating in the normal course of business;
 - c. a trustee or receiver of the Contractor or of any substantial part of the Contractor's assets has been appointed by a court;
 - d. fraud, misappropriation, embezzlement, malfeasance, misfeasance, or illegal conduct pertaining to performance under the contract by its Contractor, its employees, officers, directors, or shareholders;
 - e. an involuntary proceeding has been commenced by any party against the Contractor under any one of the chapters of Title 11 of the United States Code and (i) the proceeding has been pending for at least sixty (60) calendar days; or (ii) the Contractor has consented, either expressly or by operation of law, to the entry of an order for relief; or (iii) the Contractor has been decreed or adjudged a debtor;
 - f. a voluntary petition has been filed by the Contractor under any of the chapters of Title 11 of the United States Code;
 - g. Contractor intentionally discloses confidential information;
 - h. Contractor has or announces it will discontinue support of the deliverable; and,
 - i. In the event funding is no longer available.

M. CONTRACT CLOSEOUT

Accept (Initial)	Reject (Initial)	Reject & Provide Alternative within ITB Response (Initial)	NOTES/COMMENTS:
BC			

Upon termination of the contract for any reason the Contractor shall within thirty (30) days, unless stated otherwise herein:

1. Transfer all completed or partially completed deliverables to the State;

2. Transfer ownership and title to all completed or partially completed deliverables to the State;
3. Return to the State all information and data, unless the Contractor is permitted to keep the information or data by contract or rule of law. Contractor may retain one copy of any information or data as required to comply with applicable work product documentation standards or as are automatically retained in the course of Contractor's routine back up procedures;
4. Cooperate with any successor contractor, person or entity in the assumption of any or all of the obligations of this contract;
5. Cooperate with any successor contractor, person or entity with the transfer of information or data related to this contract;
6. Return or vacate any state owned real or personal property;

Nothing in this Section should be construed to require the Contractor to surrender intellectual property, real or personal property, or information or data owned by the Contractor for which the State has no legal claim.

III. CONTRACTOR DUTIES

A. INDEPENDENT CONTRACTOR / OBLIGATIONS

Accept (Initial)	Reject (Initial)	Reject & Provide Alternative within ITB Response (Initial)	NOTES/COMMENTS:
BC			

It is agreed that the Contractor is an independent contractor and that nothing contained herein is intended or should be construed as creating or establishing a relationship of employment, agency, or a partnership.

The Contractor is solely responsible for fulfilling the contract. The Contractor or the Contractor's representative shall be the sole point of contact regarding all contractual matters.

The Contractor shall secure, at its own expense, all personnel required to perform the services under the contract. The personnel the Contractor uses to fulfill the contract shall have no contractual or other legal relationship with the State; they shall not be considered employees of the State and shall not be entitled to any compensation, rights or benefits from the State, including but not limited to, tenure rights, medical and hospital care, sick and vacation leave, severance pay, or retirement benefits.

By-name personnel commitments made in the Contractor's bid shall not be changed without the prior written approval of the State. Replacement of these personnel, if approved by the State, shall be with personnel of equal or greater ability and qualifications.

The Contractor warrants that all persons assigned to the project shall be employees of the Contractor or a Subcontractor, and shall be fully qualified to perform the work required herein. Personnel employed by the Contractor or a subcontractor to fulfill the terms of the contract shall remain under the sole direction and control of the Contractor or the subcontractor respectively.

With respect to its employees, the Contractor agrees to be solely responsible for the following:

1. Any and all pay, benefits, and employment taxes and/or other payroll withholding;
2. Any and all vehicles used by the Contractor's employees, including all insurance required by state law;
3. Damages incurred by Contractor's employees within the scope of their duties under the contract;
4. Maintaining Workers' Compensation and health insurance that complies with state and federal law and submitting any reports on such insurance to the extent required by governing law;
5. Determining the hours to be worked and the duties to be performed by the Contractor's employees; and,
6. All claims on behalf of any person arising out of employment or alleged employment (including without limit claims of discrimination alleged against the Contractor, its officers, agents, or subcontractors or subcontractor's employees).

If the Contractor intends to utilize any subcontractor, the Subcontractor's level of effort, tasks, and time allocation must be clearly defined in the Contractor's bid. The Contractor shall agree that it will not utilize any Subcontractors not specifically included in its bid in the performance of the contract without the prior written authorization of the State.

The State reserves the right to require the Contractor to reassign or remove from the project any Contractor or Subcontractor employee.

Contractor shall insure that the terms and conditions contained in any contract with a sub-contractor does not conflict with the terms and conditions of this contract.

The Contractor shall include a similar provision, for the protection of the State, in the contract with any Subcontractor engaged to perform work on this contract.

B. EMPLOYEE WORK ELIGIBILITY STATUS

The Contractor is required and hereby agrees to use a federal immigration verification system to determine the work eligibility status of employees physically performing work within the State. A federal immigration verification system means the electronic verification of the work authorization program authorized by the Illegal Immigration Reform and Immigrant Responsibility Act of 1996, 8 U.S.C. 1324a, known as the E-Verify Program, or an equivalent federal

program designated by the United States Department of Homeland Security or other federal agency authorized to verify the work eligibility status of an employee.

If the Contractor is an individual or sole proprietorship, the following applies:

1. The Contractor must complete the United States Citizenship Attestation Form, available on the DAS website at <http://das.nebraska.gov/materiel/purchasing.htm>
The completed United States Attestation Form should be submitted with the ITB response.
2. If the Contractor indicates on such attestation form that he or she is a qualified alien, the Contractor agrees to provide the U.S. Citizenship and Immigration Services documentation required to verify the Contractor's lawful presence in the United States using the Systematic Alien Verification for Entitlements (SAVE) Program.
3. The Contractor understands and agrees that lawful presence in the United States is required and the Contractor may be disqualified or the contract terminated if such lawful presence cannot be verified as required by Neb. Rev. Stat. § 4-108.

C. COMPLIANCE WITH CIVIL RIGHTS LAWS AND EQUAL OPPORTUNITY EMPLOYMENT / NONDISCRIMINATION (Statutory)

The Contractor shall comply with all applicable local, state, and federal statutes and regulations regarding civil rights laws and equal opportunity employment. The Nebraska Fair Employment Practice Act prohibits Contractors of the State, and their Subcontractors, from discriminating against any employee or applicant for employment, with respect to hire, tenure, terms, conditions, compensation, or privileges of employment because of race, color, religion, sex, disability, marital status, or national origin (Neb. Rev. Stat. §48-1101 through 48-1125). The Contractor guarantees compliance with the Nebraska Fair Employment Practice Act, and breach of this provision shall be regarded as a material breach of contract. The Contractor shall insert a similar provision in all Subcontracts for goods or services to be covered by any contract resulting from this ITB.

D. COOPERATION WITH OTHER CONTRACTORS

Accept (Initial)	Reject (Initial)	Reject & Provide Alternative within ITB Response (Initial)	NOTES/COMMENTS:
AC			

Contractor may be required to work with or in close proximity to other contractors or individuals that may be working on the same or different projects. The Contractor shall agree to cooperate with such other contractors or individuals, and shall not commit or permit any act which may interfere with the performance of work by any other contractor or individual. Contractor is not required to compromise Contractor's intellectual property or proprietary information unless expressly required to do so by this contract.

E. PERMITS, REGULATIONS, LAWS

Accept (Initial)	Reject (Initial)	Reject & Provide Alternative within ITB Response (Initial)	NOTES/COMMENTS:
BC			

The contract price shall include the cost of all royalties, licenses, permits, and approvals, whether arising from patents, trademarks, copyrights or otherwise, that are in any way involved in the contract. The Contractor shall obtain and pay for all royalties, licenses, and permits, and approvals necessary for the performance of the contract. The Contractor must guarantee that it has the full legal right to the materials, supplies, equipment, software, and other items used to execute this contract.

F. NOTICE OF POTENTIAL CONTRACTOR BREACH

Accept (Initial)	Reject (Initial)	Reject & Provide Alternative within ITB Response (Initial)	NOTES/COMMENTS:
bc			

If Contractor breaches the contract or anticipates breaching the contract the Contractor shall immediately give written notice to the State. The notice shall explain the breach or potential breach, and may include a request for a waiver of the breach if so desired. The State may, at its discretion, temporarily or permanently waive the breach. By granting a temporary waiver, the State does not forfeit any rights or remedies to which the State is entitled by law or equity, or pursuant to the provisions of the contract. Failure to give immediate notice, however, may be grounds for denial of any request for a waiver of a breach.

G. ANTITRUST

Accept (Initial)	Reject (Initial)	Reject & Provide Alternative within ITB Response (Initial)	NOTES/COMMENTS:
bc			

The Contractor hereby assigns to the State any and all claims for overcharges as to goods and/or services provided in connection with this contract resulting from antitrust violations which arise under antitrust laws of the United States and the antitrust laws of the State.

H. CONFLICT OF INTEREST

Accept (Initial)	Reject (Initial)	Reject & Provide Alternative within ITB Response (Initial)	NOTES/COMMENTS:
bc			

By submitting a bid, Contractor certifies that there does not now exist a relationship between the Contractor and any person or entity which is or gives the appearance of a conflict of interest related to this ITB or project.

The Contractor certifies that it shall not take any action or acquire any interest, either directly or indirectly, which will conflict in any manner or degree with the delivery of its goods hereunder or which creates an actual or an appearance of conflict of interest.

The Contractor certifies that it will not employ any individual known by Contractor to have a conflict of interest.

The Parties shall not knowingly, for a period of two years after execution of the contract, recruit or employ any employee or agent of the other Party who has worked on the ITB or project, or who had any influence on decisions affecting the ITB or project.

I. ADVERTISING

Accept (Initial)	Reject (Initial)	Reject & Provide Alternative within ITB Response (Initial)	NOTES/COMMENTS:
BC			

The Contractor agrees not to refer to the contract award in advertising in such a manner as to state or imply that the company or its goods are endorsed or preferred by the State. Any publicity releases pertaining to the project shall not be issued without prior written approval from the State.

J. DRUG POLICY

Accept (Initial)	Reject (Initial)	Reject & Provide Alternative within ITB Response (Initial)	NOTES/COMMENTS:
BC			

Contractor certifies it maintains a drug free work place environment to ensure worker safety and workplace integrity. Contractor agrees to provide a copy of its drug free workplace policy at any time upon request by the State.

IV. PAYMENT

A. PROHIBITION AGAINST ADVANCE PAYMENT

Accept (Initial)	Reject (Initial)	Reject & Provide Alternative within ITB Response (Initial)	NOTES/COMMENTS:
BC			

Payments shall not be made until contractual deliverable(s) are received and accepted by the State.

B. TAXES

Accept (Initial)	Reject (Initial)	Reject & Provide Alternative within ITB Response (Initial)	NOTES/COMMENTS:
BC			

The State is not required to pay taxes and assumes no such liability as a result of this solicitation. The Contractor may request a copy of the Nebraska Department of Revenue, Nebraska Resale or Exempt Sale Certificate for Sales Tax Exemption, Form 13 for their records. Any property tax payable on the Contractor's equipment which may be installed in a state-owned facility is the responsibility of the Contractor.

C. INVOICES

Accept (Initial)	Reject (Initial)	Reject & Provide Alternative within ITB Response (Initial)	NOTES/COMMENTS:
BC			

Invoices for payments must be submitted by the Contractor to the agency requesting the services with sufficient detail to support payment. The terms and conditions included in the Contractor's invoice shall be deemed to be solely for the convenience of the parties. No terms or conditions of any such invoice shall be binding upon the State, and no action by the State, including without limitation the payment of any such invoice in whole or in part, shall be construed as binding or estopping the State with respect to any such term or condition, unless the invoice term or condition has been previously agreed to by the State as an amendment to the contract.

D. INSPECTION AND APPROVAL

Accept (Initial)	Reject (Initial)	Reject & Provide Alternative within ITB Response (Initial)	NOTES/COMMENTS:
BC			

Final inspection and approval of all work required under the contract shall be performed by the designated State officials.

If a simple inspection of the goods would reveal nonconformity, notice of nonconformity should be provided to the vendor as soon as reasonably practical, but not to exceed thirty (30) days from receipt of goods. This includes visual inspection of product to ensure packaging is not damaged, dented or compromised.

VI. INVITATION TO BID - TECHNICAL SPECIFICATIONS

A. BIDDER INSTRUCTIONS

Bidder must respond to each of the following statements. Specifications listed are minimum conditions that must be met in order for a Bidder to qualify for the award.

"YES" response means the Bidder guarantees they can meet this condition.

"NO" response means the Bidder cannot meet this condition and will not be considered.

"NO & PROVIDE ALTERNATIVE" responses should be used only with a narrative response in the NOTES/COMMENTS section explaining in detail any deviation from the Bidder's ability to meet the condition, and an explanation of how this would be determined to be an acceptable alternative to meeting the condition. Alternatives must be detailed in such a way that allows such deviations to be fully evaluated. The State shall determine at its sole discretion whether or not the Bidder's alternative is an acceptable alternative.

B. NON-COMPLIANCE STATEMENT

YES	NO	NO & PROVIDE ALTERNATIVE	
X			1. Read these specifications carefully. Any and all exceptions to these specifications must be written on or attached to bid. Any noncompliance may void your bid. Non-compliance to any single specification can void your bid.
X			2. It is the responsibility of Bidders to obtain information and clarifications as provided below. The State is not responsible for any erroneous or incomplete understandings or wrongful interpretations of this ITB by any Bidder.
X			3. No interpretation related to the meaning of bid specifications or other pre-bid documents will be made orally to any Bidder by the State. Any ITB interpretation must be put in writing by the Bidder to: the State Purchasing Bureau and e-mailed to AS Materiel Purchasing as.materielpurchasing@nebraska.gov by the last day to submit written questions that is specified in the Schedule of Events. (Inquiries received after the last day to submit written questions may not be addressed).
NOTES/COMMENTS:			

C. CHASSIS BASIC SPECIFICATIONS

YES	NO	NO & PROVIDE ALTERNATIVE	
X			1. Shall not be less than 52,000 pounds GVWR.
X			2. Wheelbase shall conform to distributor manufacturer's recommended length to fit Cab-to Axle specification and frame length specification.
X			3. Cab to axle distance shall be approximately 138 inches.
X			4. Frame resisting bending moment shall equal or exceed 1,800,000 inch pounds.

NOTES/COMMENTS:

D. TRANSMISSION

YES	NO	NO & PROVIDE ALTERNATIVE	
X			1. Allison 3500 RDS six speed automatic transmission with; <ul style="list-style-type: none"> a. hold feature in all gears; b. oil temperature gauge or warning system on or near dash; c. transmission to be most compatible with engine horsepower and torque.
X			2. Auxiliary transmission 2 to 1 ratio. Reduction to allow for high RPM while spraying material.
X			3. Synthetic oil to be installed in transmission.
NOTES/COMMENTS:			

E. SHOCK ABSORBERS

YES	NO	NO & PROVIDE ALTERNATIVE	
X			1. Manufacturer's recommended front shock absorbers for GVWR.
NOTES/COMMENTS:			

F. AXLES AND SPRINGS

YES	NO	NO & PROVIDE ALTERNATIVE	
X			1. <u>Minimum</u> 14,000 pounds rated capacity in front with thrust bearing on kingpin required. <ul style="list-style-type: none"> a. OIL FILLED, FRONT WHEEL HUBS WITH WINDOW REQUIRED.

X			2. Rear assembly shall be truck manufacturer's recommended brand with minimum 38,000 pounds rated capacity with: a. Dual reduction tandem axle is acceptable if manufacturer does not offer single reduction type. b. Inter-wheel and inter-axle full locking differentials of manufacturer's recommended brand. c. Switches shall have indicator lights. d. Adequate gear ratios must be available to sustain road speed of 75 MPH at governed engine RPM.
X			3. Front and rear springs shall meet manufacturer's axle requirements.
X			4. Rear axles to have synthetic oil installed.
NOTES/COMMENTS:			

G. STEERING

YES	NO	NO & PROVIDE ALTERNATIVE	
X			1. Manufacturer's recommended power steering.
X			2. Tilt steering wheel required.
NOTES/COMMENTS:			

H. BRAKES

YES	NO	NO & PROVIDE ALTERNATIVE	
X			1. Service brakes shall be six wheel, full air, with automatic slack adjusters. a. Brakes shall be ABS design.
X			2. Two shoes per wheel, double anchored when brakes are drum type.
X			3. Service brakes may also be combination of rear drum brakes and front disc brakes or all disc brakes.
X			4. Dust shields are required on all axles.
X			5. A spring loaded parking brake system designed to automatically apply parking brakes to all four rear wheels when pressure in main air reservoir drops below safe pressure with warning signal is required.
X			6. Brake chambers on rear axles shall be forward facing. ASPHALT SPREADER CLEARANCE REAR BRAKE GEOMETRY.

X			7. The compressor shall be a single or two-stage water-cooled type with a minimum capacity of 13 CFM.
		X	8. Bendix AD-IP dryer required, with: a. Spin on filter. b. Dryer may be dealer installed if not available from manufacturer. <u>WABCO SS-1200</u>
X			9. Drain valve system for all air tanks must be conveniently operated from side of chassis. a. System may be dealer installed if not available by manufacturer.
NOTES/COMMENTS:			

I. ENGINE

YES	NO	NO & PROVIDE ALTERNATIVE	
X			1. Engine shall be diesel; Cummins L9, Mack MP 7, Volvo D11, or Detroit. a. Minimum 280 HP with a minimum 800-LB FOOT torque. Please state engine being bid : <u>CUMMINS L9 300HP</u>
X			2. NO OTHER ENGINE(S) WILL BE ACCEPTED, unless the engine is approved through the Question/Answer period during the solicitation process.
X			3. Muffler to be horizontal with vertical stack on RH side with 90 degree elbowed exhaust outlet that is ABOVE top of cab. a. Elbowed exhaust outlet must be equivalent material and finished as stack and may be dealer installed. b. Vertical system heat shield required. c. Horizontal exhaust is acceptable only if required with body and tank. d. If horizontal is used it must have exhaust suppression to prevent damage to pavement during emission system regeneration.
X			4. Temperature controlled fan.
X			5. Engine to be equipped with 110 volt AC engine coolant heater; male receptacle with cover for electrical wire for engine heater is to be sturdily mounted.
X			6. Cold starting aid – KBI Dieselmatic cartridge type or equivalent; cartridge to be furnished with warm engine cut off, which may be dealer installed unless equipped with glow plugs or pre-heater.

			State Cold Starting Aid being bid below: <u>AIR INTAKE WARMER</u>
X			7. Front crankshaft provisions required for PTO.
X			8. Exterior and interior to engine compartment air inlet system for air cleaner with dual element.
X			9. Minimum 18-inch Integral front frame extension on truck will be required, only front bumper and fenders to be furnished.
X			10. Engine hood shall be tilt-forward hood/fenders with: <ul style="list-style-type: none"> a. Service access panels required; b. Engine shall be equipped with any OEM available; c. Extension tube to allow engine oil and automatic transmission fluid to be conveniently checked and filled at service access panel; d. Butterfly type of hood for convenient access to engine is acceptable if tilt-forward hood/fenders with service access panel(s) are not available by manufacturer; e. Stationary grill is required; f. All shall be manufacturer's standard or optional equipment.
NOTES/COMMENTS:			

J. FILTERS

YES	NO	NO & PROVIDE ALTERNATIVE	
X			1. Dual element air cleaner if available by manufacturer,
X			2. Full flow, throw away type oil filter.
NOTES/COMMENTS:			

K. COOLING

YES	NO	NO & PROVIDE ALTERNATIVE	
X			1. Manufacturer's heaviest duty cooling capacity radiator.

		X	2. Coolant filter if required by manufacturer. If required state make and model being bid: <u>N/A</u>
X			3. Trucks shall have manufacturer's recommended long life antifreeze protection to no less than 34 degrees below zero Fahrenheit.
X			4. Radiator and cooling system must be compatible with front PTO.
NOTES/COMMENTS:			

L. FUEL TANK

YES	NO	NO & PROVIDE ALTERNATIVE	
X			1. Fuel tank to be left side mounted and minimum 100 gallon capacity. a. Two 50 gallon tanks acceptable if single 100 gallon tank interferes with distributor mounting.
X			2. Fuel tank shall be regular accessory unit as shown and listed in truck manufacturer's data books. a. Suction line from tank to pump to be OEM plastic or stratoflex. Stratoflex preferred. State composition of suction line being bid: <u>HIGH TEMP REINFORCED NYLON</u>
X			3. Fuel/water separator with heater required. Davco 384 preferred. a. Shall be compatible with bio-diesel fuel. State Fuel/water separator with heater being bid: <u>DETROIT</u>
X			4. Minimum 14 inches ground clearance required under fuel tank and supports.
NOTES/COMMENTS:			

M. WHEELS

YES	NO	NO & PROVIDE ALTERNATIVE	
X			1. Eight (8) wheels; 22.5 inch diameter by <u>minimum</u> 8.25 inch wide rear wheels which are; <ul style="list-style-type: none"> a. Ventilated; b. 10 stud; c. Hub-piloted; d. steel disc type with 11-1/4 inch diameter bolt circle; e. identical including color; f. interchangeable; g. rear wheels and tires must be spaced to permit the use of tire chains.
X			2. Three (3) 22.5 inch diameter by <u>minimum</u> 8.25 inch wide wheels (Two [2] fronts and one [1] spare).
NOTES/COMMENTS:			

N. STEEL BELTED RADIAL TIRES

YES	NO	NO & PROVIDE ALTERNATIVE	
X			1. Steel belted radials of tubeless type. <ul style="list-style-type: none"> a. Eight (8), <u>minimum</u> 11R22.5-16 ply rating on rear. b. Three (3) [fronts and spare] shall be minimum 12R22.5-16ply rating.
X			2. Tires shall be Goodyear, Michelin, Bridgestone, Firestone, Continental or General and shall carry said company name. State brand of tires being bid: <u>MICHELIN</u>
NOTES/COMMENTS:			

O. CAB REQUIREMENTS

YES	NO	NO & PROVIDE ALTERNATIVE	
X			1. Fully enclosed, safety type cab with locks on doors.

X			2. National 2000 series air seat with air lumbar support on both driver and passenger sides, both with cloth covering and able to adjust forward and backwards on gliders. a. Seats must be able to provide 6.5 inches of travel. b. Seat mounted arm rests outboard to be furnished on both driver and passenger seats. If outboard arm rest is available by molded arm rest on door of truck, that is acceptable.
X			3. Power electric windows on both side windows.
X			4. Tinted safety glass in cab.
X			5. Step or running board on each side of cab.
X			6. Interior finished to exclude; a. excessive noise; b. weather.
X			7. Exterior and interior cab grab handles on both sides to facilitate entry into the truck shall be provided.
X			8. Minimum 98 inches from grade to top of cab is required.
X			9. Cab to have minimum 72 inches of shoulder room per specification sheet.
X			10. Cab to have minimum 56 inches floor to headliner height.
NOTES/COMMENTS:			

P. COLOR

YES	NO	NO & PROVIDE ALTERNATIVE	
X			1. Truck will be highway safety yellow, vendor to provide color chip with bid for approval. SAME COLOR WE HAVE BEEN USING.
X			2. Paint will be base coat/clear coat acrylic, activator-hardened acrylic or polyurethane type.
NOTES/COMMENTS:			

Q. MIRRORS

YES	NO	NO & PROVIDE ALTERNATIVE	
X			1. Rear vision, rectangular Western Type.
X			2. Mirrors to be stainless steel or OEM equivalent heated type with tinted or non-glare glass.
X			3. Size 16 inch by 7 inch or approximately 110 square inches.

X			4. Mounted on right and left doors of cab, extendable to maximum legal width.
X			5. Convex mirror or equivalent size to be mounted below the 16" x 7" mirror on each side. Convex mirror not to overlap main mirror. Mirror on passenger side to be power adjustable.
NOTES/COMMENTS:			

R. LIGHTS

YES	NO	NO & PROVIDE ALTERNATIVE	
X			1. Halogen high beam headlights with: a. low beam; b. parking;
X			2. Dome.
X			3. Tail and stop lights.
X			4. Front and rear directional turn signals.
NOTES/COMMENTS:			

S. CAB CONTROLS AND INSTRUMENTS

YES	NO	NO & PROVIDE ALTERNATIVE	
X			1. Key locking ignition switch; head, parking and dome light switch; headlight beam control; electronic engine/PTO controls; speedometer.
X			2. Oil pressure gauge.
X			3. Fuel gauge.
X			4. Engine temperature gauge.
X			5. Ammeter or voltmeter.
X			6. Vacuum restriction gauge for air cleaner on or near dash: a. must be mounted to be easily read from driver's seat, b. may be dealer-installed if not available from manufacturer. c. If unit has vacuum restriction light on dash, the filter minder can remain under hood.
X			7. High beam indicator light.
X			8. flashing turn-indicator lights.

X			9.	traffic hazard switch.
X			10.	Dash-mounted, tachometer and hourmeter required. a. Hourmeter may be dealer installed.
X			11.	Air pressure gauge.
X			12.	Dash-mounted in cab control for locking differential engagement/disengagement; a. red or amber warning light when engaged is required, b. may be dealer installed.
X			13.	Self-canceling, turn signal switch on steering column.
NOTES/COMMENTS:				

T. VEHICLE KEYS

YES	NO	NO & PROVIDE ALTERNATIVE	
X			1. Three (3) sets of keys per truck.
NOTES/COMMENTS:			

U. WINDSHIELD WIPERS

YES	NO	NO & PROVIDE ALTERNATIVE	
X			1. Heaviest duty dual electrical wipers available with intermittent capability.
X			2. Dual electric windshield washers. a. Washer nozzles to be integrated into wiper arms.
NOTES/COMMENTS:			

V. ELECTRICAL

YES	NO	NO & PROVIDE ALTERNATIVE	
X			1. Manufacturer's recommended batteries for diesel engine quoted; a. minimum 2600 cold cranking amperes.
X			2. Alternator shall have <u>minimum</u> 150 amperage.

			State amperage of alternator being bid: <u>160 AMOS</u>
		X	3. Positive and negative jump start studs required. a. Must be easily accessible at side of chassis. b. Use of frame or frame hardware is not acceptable for negative stud. ONLY OPTION AVAILABLE FOR THIS APPLICATION.
NOTES/COMMENTS:			

W. GENERAL CHASSIS REQUIREMENTS

YES	NO	NO & PROVIDE ALTERNATIVE	
X			1. Dual electric horns; dual padded sun visors; dual arm rests on door or seat mounted.
X			2. Manufacturer's standard air horn(s) shall be provided. Power outlet on dash.
X			3. Truck manufacturer's recommended outside air intake heater with defroster for entire windshield; power outlet.
X			4. AM/FM radio; seat belts for occupant capacity, lap/shoulder type with retractors for outer seats.
X			5. Manufacturer's standard manually controlled air conditioning required.
X			6. Electronic back-up alarm is required which must meet OSHA standards, may be dealer installed.
NOTES/COMMENTS:			

X. RADIO FREQUENCY SHIELDING – Caution!!

YES	NO	NO & PROVIDE ALTERNATIVE	
X			1. The chassis and/or installed components and equipment shall be compatible with use of NDOT mobile and/or two-way communication devices. Main communication radio operates in low band range of 47 MHz to 48 MHz, but all frequencies apply including low band, high band, UHF, and VHF.
X			2. The chassis and/or installed components and equipment shall be manufactured to meet all current SAE and/or ISO Standards applicable and/or relevant to Electromagnetic Compatibility.
X			3. NDOT will conduct testing of radio/two-way when installed in chassis. a. NDOT will notify vendor if normal operational parameters are not met due to degradation of signals caused by electromagnetic emissions from chassis or installed components and equipment.

			<ul style="list-style-type: none"> b. Vendor shall be required to work with NDOT normal radio operation parameters. c. Vendor shall have 30 days to resolve FRI issue.
X			<p>4. Vendor and/or manufacturer will be responsible for any and all cost to replace and/or modify any parts found to cause radio frequency interference.</p> <ul style="list-style-type: none"> a. If NDOT and vendor cannot resolve source of RFI the unit will be sent to an independent accredited lab for testing to ensure SAE and/or ISO standard compliance. b. Testing shall be done to SAE and/or ISO Standards which were current at date of bid. c. Should the chassis and/or installed components and equipment fail testing at the accredited lab, the vendor shall be responsible for all cost incurred for testing.
X			<p>5. If after testing by NDOT and /or accredited lab, the vendor is unable or unwilling to incur the cost and correct the RFI issue to the satisfaction of NDOT, ALL ORDERS AND CORRESPONDING CONTRACT WILL BE CANCELED.</p>
NOTES/COMMENTS:			

Y. WARRANTY

YES	NO	NO & PROVIDE ALTERNATIVE	
X			<p>1. The manufacturer's regular warranty certificate will be required with each unit delivered and the warranty shall apply, in all cases, with the following exceptions:</p>
X			<ul style="list-style-type: none"> a. Because of the installation or attachment of auxiliary or supplementary equipment by the Department or sub-contractor, the effective date of warranty will be after field assignment. As each unit is assigned for service the Department will maintain a record of serial number and assignment date.
X			<ul style="list-style-type: none"> b. Manufacturer's written warranty including engine, transmission and differential must accompany delivered units.
X			<ul style="list-style-type: none"> c. Full, manufacturer's warranty coverage will be required for the stated warranty period, beginning at assignment date, in addition t the time between delivery and field assignment.
X			<ul style="list-style-type: none"> d. Prior to the awarding of, or entering into any agreement or contract, it shall be the responsibility of the manufacturer and/or the successful bidder to warrant to the State of Nebraska, in writing, that it has factory authorized dealers in the State of Nebraska who will provide warranty/service and repair work without undue delay.
X			<ul style="list-style-type: none"> e. It is understood that the bidder accepts the above warranty requirements when offering a quotation.
X			<ul style="list-style-type: none"> f. Provide any information on towing available and what is covered.

NOTES/COMMENTS:

Z. SERVICE

YES	NO	NO & PROVIDE ALTERNATIVE	
X			1. Manufacturer's standard warranty, completed pre-delivery inspection certificate, manufacturer's Statement of Origin and line sheet will be required with each unit delivered.
X			2. Service policy to be honored by all of the manufacturer's authorized dealers in the State of Nebraska.
X			3. Dealer's decals, stickers or other signs shall not be affixed to units; manufacturer's nameplates, stampings and other similar signs are acceptable.
X			4. Chassis shall be delivered; <ul style="list-style-type: none"> a. after servicing and ready to drive; b. with not less than ten gallons of fuel in tank.

NOTES/COMMENTS:

AA. MANUALS

YES	NO	NO & PROVIDE ALTERNATIVE	
X			1. Owners/operator's manual must accompany each unit delivered.
X			2. Chassis technical repair manual.
X			3. Engine shop repair manual, if not in chassis repair manual.
X			4. Chassis parts manual.
X			5. Engine parts manual, if not in chassis parts manual.
X			6. All manuals must be furnished prior to payment and delivered to Fleet Management Equipment Data Coordinator.
X			7. Failure to deliver all manuals that are ordered may result in non-payment of ten percent of purchase order total until all manuals are delivered.

NOTES/COMMENTS:

BB. SPECIFICATION FORM

YES	NO	NO & PROVIDE ALTERNATIVE	
X			1. Successful bidder must complete form(s) for each unit delivered and must accompany each unit when delivered. Forms will be supplied by the Department of Transportation after purchase order is awarded.
X			2. If vendor does not properly complete form for each unit, a sum of \$250.00 per unit will be deducted from purchase order amount.
<p>NOTES/COMMENTS:</p>			

VII. ASPHALT DISTRIBUTOR SPECIFICATIONS

A. MOUNTING

YES	NO	NO & PROVIDE ALTERNATIVE	
X			1. Unit shall be mounted on proposed chassis with 138 inch Cab to Axle as per manufacturer's recommendations.
X			2. Distributors will be so constructed as to permit the center of gravity of distributor when loaded to be as far forward of the rear axle as possible.
NOTES/COMMENTS:			

B. TANK REQUIREMENTS

YES	NO	NO & PROVIDE ALTERNATIVE	
X			1. The elliptically-shaped tank shall have a capacity of 3,000 gallons plus 5 percent for expansion.
X			2. Minimum 10 gauge tank construction required.
X			3. Tank shall have adequate surge plates and all seams shall be welded.
X			4. Fiberglass or rock wool insulation of 2-inch thickness shall be covered with minimum 0.040 inch aluminum side shell and jacket heads.
X			5. Spacers between jacket and shell to be: a. non-conducting material or; b. insulated steel bands and; c. shall be placed to prevent shifting or; d. moving of the insulation.
X			6. Two (2) minimum 8 to 6 inch diameter "U" type, heating flues with stainless steel, or galvanized steel exhaust stacks to be provided with two burners.
X			7. A sump or inverted intake, or pump located below the tank, will be provided to prevent draining air into pump before tanks are empty.
X			8. Minimum 20-inch manhole with internal overflow.
X			9. A suitable drain in bottom of tank for cleaning tank to be furnished.
X		DIGITAL READOUT VIA TEMP PROBE IN BOTTOM & SEE BELOW	10. An external type, Fahrenheit, 4-inch dial thermometer gauge with long sensor near bottom of tank that is conveniently readable from side of tank to be furnished.
X			11. Tank to be provided with adequate overflow.
X			12. A certified tank capacity chart and measuring stick to be furnished.

* CONTINUED FROM ABOVE
IN ADDITION TO 4" DIAL

X			13. A suitable catwalk or landing and a ladder to be provided for access to manhole.
X			14. Tank must meet all applicable Federal Cargo Tank Regulations 49 CFR 173.247 and including DOT-406, HM-183, HM-198A with consideration for hot asphalt products State ASME Tank Approval Number: <u>25,267</u>
NOTES/COMMENTS:			

C. PUMP AND DRIVE

YES	NO	NO & PROVIDE ALTERNATIVE	
X			1. Pump shall have a rated capacity of 400 or more gallons per minute. a. Pump to preferably have heated asphalt pump from truck cooling system. b. Quick detachable coupling for pump intake required
X			2. Controls in cab for overriding asphalt pump without interfering the preset pump application rate preferred; a. switch-type flow control in cab is acceptable.
NOTES/COMMENTS:			

D. SPECIAL GAUGES

YES	NO	NO & PROVIDE ALTERNATIVE	
X			1. Radar sensing device to measure: a. speed in feet per minute and distance; b. within cab gauge or; c. read-out required.
X			2. Low level of tank indicator light required: a. within cab or; b. on a gauge that is readable in drivers outside rear view mirror.
X			3. Electronic computer control and readout in cab of: a. FPM (feet per minute); b. GPM (gallons per minute); c. total gallons sprayed and; d. feet traveled for asphalt distributor.
NOTES/COMMENTS:			

E. LOADING HOSE

YES	NO	NO & PROVIDE ALTERNATIVE	
X			1. A 15-foot minimum length of 3 inch flexible suction hose with "quick" detachable couplings at each end.
X			2. Inlet strainer at distributor connection.
NOTES/COMMENTS:			

F. SPRAY BAR

YES	NO	NO & PROVIDE ALTERNATIVE	
X			1. Spray bar shall be of the full circulating type having a mechanism providing a no-drip feature.
X			2. Spray bar shall be capable of being hydraulically shifted: a. 15 inches each direction from center and; b. hydraulically lifted at least 6 inches for travel.
X			3. The length of spray bar shall be 14 feet.
X			a. Spray bar includes an approximately eight foot center section.
X			b. With two (2) three foot sections on each side of center eight foot section. Three foot sections may consist of either one foot or two foot end sections and are regular manufacturer's length(s).
X			c. Outside extensions must fold to an 8-foot width. i. Outside extensions to be power folded.
X			d. Bar shall have shut-off valves or switches for each nozzle and linkage mechanism shall be such that distribution is controlled in increments of one foot is available for the entire bar.
X			e. Joints on center section shall be "break away" or safety hinge type. Breakaway wings on the ends of the center section is also acceptable.
X			f. Nozzle spacing to be at 4-inch intervals.
X			g. Spray bar to be air-controlled in cab from chassis air system for on/off functions.
X			h. Distributor must have capability of returning all material in spray bar, hand sprayer and lines by suction.
X			i. Flushing system for cleaning pump and circulating components or suck back is required.
NOTES/COMMENTS:			

G. HAND SPRAY HOSE AND GUN

YES	NO	NO & PROVIDE ALTERNATIVE	
X			1. Hand spray hose: a. One (1) inch hose; b. Rubber covered; c. With reel; d. 25 foot minimum length.
X			2. Complete hand spray gun furnished: a. minimum 5 foot length with: b. valve and; c. spray nozzles.
NOTES/COMMENTS:			

H. HEATING SYSTEM

YES	NO	NO & PROVIDE ALTERNATIVE	
X			1. Diesel burners for asphalt distributor producing minimum 560,000 BTU's per hour for each burner.
X			a. High pressure type, push button ignition required.
X			b. Digital temperature readout.
X			c. Thermostatically controlled shut down.
X			2. Automatic out fire protection included.
X			3. Burner fuel may come from (i.e.) truck chassis or separate fuel tank. State where burner fuel comes from: <u>SEPARATE FUEL TANK</u>
NOTES/COMMENTS:			

I. ACCESSORIES

YES	NO	NO & PROVIDE ALTERNATIVE	
		LADDER ACCESS AT REAR	1. Fenders with conveniently and safely located grab handle for platform access required.
X			2. Lights and reflectors to meet Federal regulations to be furnished.

X			3. Hand hold rods, tool kit, tool box and rack for spray bars to be furnished. Wet storage box for spray bar storage is also acceptable.
X			4. Diesel wash-down kit including; <ul style="list-style-type: none"> a. tank, b. electric pump, c. 15-foot hose with wand, d. valve & nozzle and; e. hose rack or hooks required.
X			5. Mud flaps must be mounted as per Nebraska Statutes.
X			6. Dealer nameplates and signs shall not face to rear of unit.
X			7. Skirting near bottom of tank shall <u>not</u> be furnished.
NOTES/COMMENTS:			

J. MANUALS

YES	NO	NO & PROVIDE ALTERNATIVE	
X			1. Two operator's manuals and two application charts are to be supplied with and must accompany each unit delivered.
X			2. Parts book required for each unit delivered.
	X		3. Shop repair manual for each unit delivered.
X			4. All manuals must be furnished prior to payment and delivered to Fleet management Equipment data Coordinator.
X			5. Failure to deliver all manuals that are ordered may result in non-payment of ten percent of purchase order total until all manuals are delivered.
NOTES/COMMENTS: <i>Included in operator's manual</i>			

K. COLOR

YES	NO	NO & PROVIDE ALTERNATIVE	
X			1. Equipment to be manufacturer's standard color.
NOTES/COMMENTS:			

L. RADIO FREQUENCY SHIELDING – Caution !!

YES	NO	NO & PROVIDE ALTERNATIVE	
X			1. The chassis and/or installed components and equipment shall be compatible with use of NDOT mobile and/or two-way communication devices. Main communication radio operates in low band range of 47 HMz to 48 MHz, but all frequencies apply including low band, high band, UHF, and VHF.
X			2. The chassis and/or installed components and equipment shall be manufactured to meet all current SAE and/or ISO Standards applicable and/or relevant to Electromagnetic Compatibility.
X			3. NDOT will conduct testing of radio/two-way when installed in chassis. <ul style="list-style-type: none"> a. NDOT will notify vendor if normal operational parameters are not met due to degradation of signals caused by electromagnetic emissions from chassis or installed components and equipment. b. Vendor shall be required to work with NDOT normal radio operation parameters. c. Vendor shall have 30 days to resolve FRI issue.
X			4. Vendor and/or manufacturer will be responsible for any and all cost to replace and/or modify any parts found to cause radio frequency interference. <ul style="list-style-type: none"> a. If NDOT and vendor cannot resolve source of RFI the unit will be sent to an independent accredited lab for testing to ensure SAE and/or ISO standard compliance. b. Testing shall be done to SAE and/or ISO Standards which were current at date of bid. c. Should the chassis and/or installed components and equipment fail testing at the accredited lab, the vendor shall be responsible for all cost incurred for testing.
X			5. If after testing by NDOT and /or accredited lab, the vendor is unable or unwilling to incur the cost and correct the RFI issue to the satisfaction of NDOT, ALL ORDERS AND CORRESPONDING CONTRACT WILL BE CANCELED.
NOTES/COMMENTS:			

M. TRAINING

YES	NO	NO & PROVIDE ALTERNATIVE	
X			1. Minimum of four hours by a factory-trained representative in the operation and maintenance of machine shall be provided for each unit delivered at the machines location with the State of Nebraska.
X			2. Fleet Management will contact successful bidder on schedule and place for this training.

NOTES/COMMENTS:

N. GENERAL

YES	NO	NO & PROVIDE ALTERNATIVE	
X			1. Dealer's decals, stickers or other signs shall not be affixed to units.
X			2. Manufacturer's nameplates, stampings and other signs are acceptable.

NOTES/COMMENTS:

O. SPECIFICATION FORM

YES	NO	NO & PROVIDE ALTERNATIVE	
X			1. Successful bidder must complete specification form for distributor unit as explained in chassis part of this specification.

NOTES/COMMENTS:

P. WARRANTY

YES	NO	NO & PROVIDE ALTERNATIVE	
X			1. Manufacturer's usual warranty including parts, labor and tank shall apply.

NOTES/COMMENTS:

Q. ACCEPTABLE BRANDS

YES	NO	NO & PROVIDE ALTERNATIVE	
X			1. Products bid must be the brand AND model numbers as specified on each line of the Bid Document. The State will not be accepting alternatives to the brands specified (insert brand/model information).

X			<p>2. Equipment bid shall be the latest current models in production as of the date of the ITB and be of proven performance and under standard design, complete as regularly advertised and marketed and shall be delivered complete with all necessary parts, specified accessories, tools, and special features, whether or not they may be specifically mentioned below. Used, demonstrator, prototype, or discontinued equipment is not acceptable. Complete specifications, manufacturer's descriptive literature and/or advertising data sheets with cuts or photographs may be required prior to an award and should be included with the bid on the IDENTICAL equipment proposed. Literature should be complete and the latest published. Any information necessary to show compliance with these specifications not given on the manufacturer's descriptive literature and/or advertising data sheets should be supplied in writing on or attached to the bid document. Etyrne or Rosco brand distributors bid must meet or exceed the requirements in this ITB.</p>
<p>NOTES/COMMENTS:</p>			

R. MOTOR VEHICLE INDUSTRIES REGULATION ACT

YES	NO	NO & PROVIDE ALTERNATIVE	
X			<p>1. All Bidders must comply with the licensing requirements for motor vehicle dealers established under the Motor Vehicle Industries Regulation Act, Nebraska Revised Statutes, Chapter 60, Article 14 at time of bid. Bids will only be accepted from Bidders who are fully compliant with the Motor Vehicle Industries Regulation Act, Chapter 60, Article 14.</p>
<p>NOTES/COMMENTS:</p>			

S. ANNUAL USAGE, ESTIMATED

YES	NO	NO & PROVIDE ALTERNATIVE	
X			1. Annual usage figures provided are estimates and are not to be construed as either a minimum or maximum purchase quantity. The orders shall be for the actual quantities of each item ordered by or for any agency during the life of the contract. Vendor shall not impose minimum order requirements.
X			2. Insert annual estimated usage here (may use Table Tools/Draw Table function to add more lines or may enlarge the size of the table to accommodate specifications) two (2) to four (4) units.
NOTES/COMMENTS:			

T. DELIVERY ARO

YES	NO	NO & PROVIDE ALTERNATIVE	
X			At the time of delivery, a designated State employee will sign the "invoice/packing slip." This signature will only indicate that the order has been received and that the items actually delivered agree with the delivery invoice. This signature does not indicate all items were received in good condition and/or that there is not possible hidden damage.
NOTES/COMMENTS:			

U. DELIVER LOCATIONS/INSTRUCTIONS (BIDDER IS CERTIFYING THAT THEY CAN MEET THE DELIVER LOCATIONS/INSTRUCTIONS)

YES	NO	NO & PROVIDE ALTERNATIVE	
X			1. NDOT 5001 S 14 th Street Lincoln, NE 68512
NOTES/COMMENTS:			

V. ORDERS

YES	NO	NO & PROVIDE ALTERNATIVE	
X			1. Orders will be placed either by, phone, fax, e-mail or Internet (if available and not to the exclusion of the other methods). All orders must reference a purchase order number and the purchase order number must be referenced on the delivery documentation, and

			invoice. Invoices are to be sent to the "Invoice to" address on the purchase order.
NOTES/COMMENTS:			

W. QUALITY

YES	NO	NO & PROVIDE ALTERNATIVE	
X			1. Product quality must meet specifications and be consistent for the term of the contract. A guarantee of satisfactory performance by the supplier and meeting delivery dates are considered to be an integral part of the purchase contract resulting from this bid invitation. All materials must be of first quality, under standard production by the manufacturer and be of standard design, complete as regularly advertised and marketed and be of proven performance. Products are to be fully guaranteed and may be returned for full credit or replacement (at the State's option) for any reason during the initial warranty period with no additional charges for shipping or restocking.
NOTES/COMMENTS:			

X. PRICES

YES	NO	NO & PROVIDE ALTERNATIVE	
X			1. Price quoted shall be unit price and shall be firm for 180 days from date of an award and are to be net; <ul style="list-style-type: none"> a. including transportation and delivery charges fully prepaid by the Bidder. b. F.O.B. Destination as specified. c. No additional charges will be allowed for packing, handling, fuel surcharge, or partial delivery costs. d. Any request for an increase must be submitted in writing to the SPB a minimum of thirty (30) days prior to proposed effective date of increase, and must show cause and be accompanied by supporting documentation (such as notification letter from manufacturer). e. Further documentation may be required by the State, to authenticate the increase (such as manufacturer invoices). f. Failure to supply any requested supporting documentation may be grounds to cancel the contract. g. In no instance may a price increases be billed to the State until the contract is amended. h. The State further reserves the right to reject any proposed price increase(s), cancel the contract and re-bid if determined to be in the best interest of the State. i. The State will be given full proportionate benefit of any decrease for the term of the contract. j. Contract supplier or suppliers may honor pricing and extend the contract to political sub-divisions, cities, and counties.

			k. Terms and conditions of the contract must be met by political sub-divisions, cities, and counties.
NOTES/COMMENTS:			

Y. AUTHORIZED DEALER & WARRANTY

YES	NO	NO & PROVIDE ALTERNATIVE	
X			1. To the extent required by the manufacturer, the Bidder shall be an authorized dealer. Bidder may be required to substantiate that he/she is an authorized dealer. Proof, if required, must be submitted to the SPB within three (3) days of the request and prior to the award of any contract. The terms of the original manufacturer's standard warranty shall apply to all equipment acquired from this solicitation for the entire warranty period.
NOTES/COMMENTS:			

Z. WARRANTY

YES	NO	NO & PROVIDE ALTERNATIVE	
X			1. Contractor must warrant the average life expectancy supplies hereunder to be not less than that stated in the manufacturer's price list and agree to replace, without cost, all supplies failing to meet this requirement, except where the reduced life is due to conditions beyond the control of the Contractor. Defective parts or those damaged in shipment must be replaced by the Contractor at no charge to the State. The manufacturer's standard warranty shall apply and be in effect for at least one (1) year from the date the equipment was placed in service.
NOTES/COMMENTS:			

AA. SUBSTITUTIONS

YES	NO	NO & PROVIDE ALTERNATIVE	
X			1. Vendor will not substitute any item that has been awarded without prior written approval of SPB.

NOTES/COMMENTS:

BB. SECRETARY OF STATE REGISTRATION REQUIREMENTS

CHOOSE "YES" TO BEST ANSWER ONLY, CHOOSE "NO" FOR REMAINING LINES

YES	NO	*Prior to contract award and/or upon request of SPB, potential award recipient(s) will be asked to certify compliance with Nebraska Secretary of State Registration by providing a true and exact copy of current (dated within 90 days) valid Certificate of Good Standing or Letter of Good Standing.
		<p>1. Bidder is a SOLE PROPRIETORSHIP (in which case, no Letter of Good Standing/Certificate of Good Standing is required)</p> <p>If the Bidder is an Individual or Sole Proprietorship, the following applies:</p> <p>a. The Bidder must complete the United States Citizenship Attestation Form, available on the Department of Administrative Services website at http://das.nebraska.gov/materiel/purchasing.html</p> <p>The completed United States Attestation Form should be submitted with the Invitation to Bid response.</p> <p>b. If the Bidder indicates on such attestation form that he or she is a qualified alien, the Contractor agrees to provide the U.S. Citizenship and Immigration Services documentation required to verify the Contractor's lawful presence in the United States using the Systematic Alien Verification for Entitlements (SAVE) Program.</p> <p>c. The Bidder understands and agrees that lawful presence in the United States is required and the Contractor may be disqualified or the contract terminated if such lawful presence cannot be verified as required by Neb. Rev. Stat. § 4-108.</p>
		<p>2. Bidder is a GENERAL PARTNERSHIP (in which case, no Letter of Good Standing/Certificate of Good Standing is required).</p>
		<p>3. Bidder is a FOREIGN or DOMESTIC CORPORATION or BUSINESS and a copy of current Letter of Good Standing/Certificate of Good Standing from the Nebraska Secretary of State is provided within bid submission documents.</p>
X		<p>4. Bidder is a FOREIGN or DOMESTIC CORPORATION or BUSINESS and a copy of current Letter of Good Standing/Certificate of Good Standing from the Nebraska Secretary of State will be provided in a timely manner upon request prior to award.</p>

Prepared for:
Mike Blacksher
Nebraska Department of
Transportation
5001 S 14th Street
P O Box 94759
Lincoln, NE 68509
Phone: 402-479-4319

Prepared by:
Bill Collier
TRUCK CENTER COMPANIES
5701 ARBOR RD.
LINCOLN, NE 68517
Phone: 402-464-2444

A proposal for
Nebraska Department of Transportation

Prepared by
TRUCK CENTER COMPANIES
Bill Collier

Jan 22, 2018

Freightliner 108SD



Components shown may not reflect all spec'd options and are not to scale



Prepared for:
 Mike Blacksher
 Nebraska Department of
 Transportation
 5001 S 14th Street
 P O Box 94759
 Lincoln, NE 68509
 Phone: 402-479-4319

Prepared by:
 Bill Collier
 TRUCK CENTER COMPANIES
 5701 ARBOR RD.
 LINCOLN, NE 68517
 Phone: 402-464-2444

S P E C I F I C A T I O N P R O P O S A L

Data Code	Description	Weight Front	Weight Rear	Retail Price
Price Level				
PRL-17D	SD PRL-17D (EFF:11/14/17)			STD
Data Version				
DRL-008	SPECPRO21 DATA RELEASE VER 008			N/C
Vehicle Configuration				
001-176	108SD CONVENTIONAL CHASSIS	6,864	3,748	\$122,790.00
004-219	2019 MODEL YEAR SPECIFIED			N/C
002-004	SET BACK AXLE - TRUCK			STD
019-002	STRAIGHT TRUCK PROVISION			STD
003-001	LH PRIMARY STEERING LOCATION			STD
General Service				
AA1-002	TRUCK CONFIGURATION			STD
AA6-002	DOMICILED, USA (EXCLUDING CALIFORNIA AND CARB OPT-IN STATES)			STD
A85-010	UTILITY/REPAIR/MAINTENANCE SERVICE			N/C
A84-1GM	GOVERNMENT BUSINESS SEGMENT			N/C
AA4-002	LIQUID BULK COMMODITY			N/C
AA5-002	TERRAIN/DUTY: 100% (ALL) OF THE TIME, IN TRANSIT, IS SPENT ON PAVED ROADS			STD
AB1-008	MAXIMUM 8% EXPECTED GRADE			STD
AB5-001	SMOOTH CONCRETE OR ASPHALT PAVEMENT - MOST SEVERE IN-TRANSIT (BETWEEN SITES) ROAD SURFACE			STD
995-1A0	FREIGHTLINER SD VOCATIONAL WARRANTY			STD
A66-99D	EXPECTED FRONT AXLE(S) LOAD : 14000.0 lbs			
A68-99D	EXPECTED REAR DRIVE AXLE(S) LOAD : 38000.0 lbs			
A63-99D	EXPECTED GROSS VEHICLE WEIGHT CAPACITY : 52000.0 lbs			
Truck Service				
AA3-003	TANK BODY			N/C



Prepared for:
 Mike Blacksher
 Nebraska Department of
 Transportation
 5001 S 14th Street
 P O Box 94759
 Lincoln, NE 68509
 Phone: 402-479-4319

Prepared by:
 Bill Collier
 TRUCK CENTER COMPANIES
 5701 ARBOR RD.
 LINCOLN, NE 68517
 Phone: 402-464-2444

Data Code	Description	Weight Front	Weight Rear	Retail Price
A88-99D	EXPECTED TRUCK BODY LENGTH : 0.0 ft			
AF3-2FP	E.D. ETNYRE			N/C
Engine				
101-22P	CUM L9 300 HP @ 2000 RPM, 2200 GOV RPM, 860 LB/FT @ 1300 RPM			\$1,517.00
Electronic Parameters				
79A-075	75 MPH ROAD SPEED LIMIT			N/C
79B-000	CRUISE CONTROL SPEED LIMIT SAME AS ROAD SPEED LIMIT			N/C
79K-007	PTO MODE ENGINE RPM LIMIT - 1100 RPM			N/C
79M-001	PTO MODE BRAKE OVERRIDE - SERVICE BRAKE APPLIED			N/C
79P-002	PTO RPM WITH CRUISE SET SWITCH - 700 RPM			N/C
79Q-003	PTO RPM WITH CRUISE RESUME SWITCH - 800 RPM			N/C
79S-001	PTO MODE CANCEL VEHICLE SPEED - 5 MPH			N/C
79U-007	PTO GOVERNOR RAMP RATE - 250 RPM PER SECOND			N/C
80G-002	PTO MINIMUM RPM - 700			N/C
80J-002	REGEN INHIBIT SPEED THRESHOLD - 5 MPH			N/C
Engine Equipment				
99C-017	2016 ONBOARD DIAGNOSTICS/2010 EPA/CARB/FINAL GHG17 CONFIGURATION			STD
99D-010	NO 2008 CARB EMISSION CERTIFICATION			STD
13E-001	STANDARD OIL PAN			STD
105-015	OIL FILL AND DIPSTICK LOCATED FOR ENHANCED SERVICEABILITY			\$126.00
014-1C5	SIDE OF HOOD AIR INTAKE WITH FIREWALL MOUNTED DONALDSON AIR CLEANER AND INSIDE/OUTSIDE AIR WITH SNOW DOOR	10		\$578.00
124-1D7	DR 12V 160 AMP 28-SI QUADRAMOUNT PAD ALTERNATOR WITH REMOTE BATTERY VOLT SENSE			STD
292-1D7	(3) ALLIANCE MODEL 1131, GROUP 31, 12 VOLT MAINTENANCE FREE 2850 CCA THREADED STUD BATTERIES	40	20	\$185.00
290-017	BATTERY BOX FRAME MOUNTED			STD
281-001	STANDARD BATTERY JUMPERS			STD
282-003	SINGLE BATTERY BOX FRAME MOUNTED LH SIDE BACK OF CAB			STD



Prepared for:
 Mike Blacksher
 Nebraska Department of
 Transportation
 5001 S 14th Street
 P O Box 94759
 Lincoln, NE 68509
 Phone: 402-479-4319

Prepared by:
 Bill Collier
 TRUCK CENTER COMPANIES
 5701 ARBOR RD.
 LINCOLN, NE 68517
 Phone: 402-464-2444

Data Code	Description	Weight Front	Weight Rear	Retail Price
291-017	WIRE GROUND RETURN FOR BATTERY CABLES WITH ADDITIONAL FRAME GROUND RETURN			STD
289-001	NON-POLISHED BATTERY BOX COVER			STD
295-029	POSITIVE AND NEGATIVE POSTS FOR JUMPSTART LOCATED ON FRAME NEXT TO STARTER	2		\$97.00
107-032	CUMMINS TURBOCHARGED 18.7 CFM AIR COMPRESSOR WITH INTERNAL SAFETY VALVE			STD
152-041	ELECTRONIC ENGINE INTEGRAL SHUTDOWN PROTECTION SYSTEM			STD
128-076	CUMMINS EXHAUST BRAKE INTEGRAL WITH VARIABLE GEOMETRY TURBO WITH ON/OFF DASH SWITCH	20		STD
016-1C2	RH OUTBOARD UNDER STEP MOUNTED HORIZONTAL AFTERTREATMENT SYSTEM ASSEMBLY WITH RH B-PILLAR MOUNTED VERTICAL TAILPIPE	30	25	\$823.00
28F-007	ENGINE AFTERTREATMENT DEVICE, AUTOMATIC OVER THE ROAD ACTIVE REGENERATION AND DASH MOUNTED SINGLE REGENERATION REQUEST/INHIBIT SWITCH			N/C
239-038	11 FOOT 06 INCH (138 INCH+0/-5.9 INCH) EXHAUST SYSTEM HEIGHT			N/C
237-1CR	RH CURVED VERTICAL TAILPIPE B-PILLAR MOUNTED ROUTED FROM STEP			N/C
23U-001	6 GALLON DIESEL EXHAUST FLUID TANK	-35	-10	(\$95.00)
30N-003	100 PERCENT DIESEL EXHAUST FLUID FILL			(\$17.00)
23Y-001	STANDARD DIESEL EXHAUST FLUID PUMP MOUNTING			STD
43X-002	LH MEDIUM DUTY STANDARD DIESEL EXHAUST FLUID TANK LOCATION			STD
43Y-001	STANDARD DIESEL EXHAUST FLUID TANK CAP			STD
242-011	ALUMINUM AFTERTREATMENT DEVICE/MUFFLER/TAILOPIPE SHIELD(S)			N/C
273-018	HORTON DRIVEMASTER ADVANTAGE ON/OFF FAN DRIVE			STD
276-001	AUTOMATIC FAN CONTROL WITHOUT DASH SWITCH, NON ENGINE MOUNTED			STD
110-003	CUMMINS SPIN ON FUEL FILTER			STD
118-008	COMBINATION FULL FLOW/BYPASS OIL FILTER			STD
266-028	1200 SQUARE INCH ALUMINUM RADIATOR			STD
103-039	ANTIFREEZE TO -34F, OAT (NITRITE AND SILICATE FREE) EXTENDED LIFE COOLANT			STD



Prepared for:
 Mike Blacksher
 Nebraska Department of
 Transportation
 5001 S 14th Street
 P O Box 94759
 Lincoln, NE 68509
 Phone: 402-479-4319

Prepared by:
 Bill Collier
 TRUCK CENTER COMPANIES
 5701 ARBOR RD.
 LINCOLN, NE 68517
 Phone: 402-464-2444

Data Code	Description	Weight Front	Weight Rear	Retail Price
171-007	GATES BLUE STRIPE COOLANT HOSES OR EQUIVALENT			STD
172-001	CONSTANT TENSION HOSE CLAMPS FOR COOLANT HOSES			STD
270-016	RADIATOR DRAIN VALVE			STD
360-013	1350 ADAPTER FLANGE FOR FRONT PTO PROVISION	20		\$218.00
138-011	PHILLIPS-TEMRO 1000 WATT/115 VOLT BLOCK HEATER	4		\$90.00
140-053	BLACK PLASTIC ENGINE HEATER RECEPTACLE MOUNTED UNDER LH DOOR			N/C
132-004	ELECTRIC GRID AIR INTAKE WARMER			STD
155-058	DELCO 12V 38MT HD STARTER WITH INTEGRATED MAGNETIC SWITCH			STD

Transmission

342-584	ALLISON 3500 RDS AUTOMATIC TRANSMISSION WITH PTO PROVISION			(\$75.00)
---------	--	--	--	-----------

Transmission Equipment

352-016	FULLER AT-1202 A3 AUXILIARY TRANSMISSION			\$12,395.00
343-339	ALLISON VOCATIONAL PACKAGE 223 - AVAILABLE ON 3000/4000 PRODUCT FAMILIES WITH VOCATIONAL MODELS RDS, HS, MH AND TRV			STD
84B-012	ALLISON VOCATIONAL RATING FOR ON/OFF HIGHWAY APPLICATIONS AVAILABLE WITH ALL PRODUCT FAMILIES			N/C
84C-023	PRIMARY MODE GEARS, LOWEST GEAR 1, START GEAR 1, HIGHEST GEAR 6, AVAILABLE FOR 3000/4000 PRODUCT FAMILIES ONLY			STD
84D-023	SECONDARY MODE GEARS, LOWEST GEAR 1, START GEAR 1, HIGHEST GEAR 6, AVAILABLE FOR 3000/4000 PRODUCT FAMILIES ONLY			STD
84E-000	PRIMARY SHIFT SCHEDULE RECOMMENDED BY DTNA AND ALLISON, THIS DEFINED BY ENGINE AND VOCATIONAL USAGE			STD
84F-000	SECONDARY SHIFT SCHEDULE RECOMMENDED BY DTNA AND ALLISON, THIS DEFINED BY ENGINE AND VOCATIONAL USAGE			STD
84G-000	PRIMARY SHIFT SPEED RECOMMENDED BY DTNA AND ALLISON, THIS DEFINED BY ENGINE AND VOCATIONAL USAGE			STD
84H-000	SECONDARY SHIFT SPEED RECOMMENDED BY DTNA AND ALLISON, THIS DEFINED BY ENGINE AND VOCATIONAL USAGE			STD



Prepared for:
 Mike Blacksher
 Nebraska Department of
 Transportation
 5001 S 14th Street
 P O Box 94759
 Lincoln, NE 68509
 Phone: 402-479-4319

Prepared by:
 Bill Collier
 TRUCK CENTER COMPANIES
 5701 ARBOR RD.
 LINCOLN, NE 68517
 Phone: 402-464-2444

Data Code	Description	Weight Front	Weight Rear	Retail Price
84L-000	LOAD BASED SHIFT SCHEDULE AND VEHICLE ACCELERATION CONTROL RECOMMENDED BY DTNA AND ALLISON, THIS DEFINED VOCATIONAL USAGE			STD
84N-000	NEUTRAL AT STOP - DISABLED, FUELSENSE - DISABLED			STD
84U-000	DRIVER SWITCH INPUT - DEFAULT - NO SWITCHES			STD
353-026	VEHICLE INTERFACE WIRING CONNECTOR WITH PDM AND NO BLUNT CUTS, AT BACK OF CAB			\$704.00
34C-002	ELECTRONIC TRANSMISSION CUSTOMER ACCESS CONNECTOR MOUNTED BACK OF CAB			\$70.00
362-035	CUSTOMER INSTALLED CHELSEA 277 SERIES PTO			N/C
363-002	PTO MOUNTING, RH SIDE OF MAIN TRANSMISSION			N/C
341-018	MAGNETIC PLUGS, ENGINE DRAIN, TRANSMISSION DRAIN, AXLE(S) FILL AND DRAIN			STD
345-003	PUSH BUTTON ELECTRONIC SHIFT CONTROL, DASH MOUNTED			STD
97G-004	TRANSMISSION PROGNOSTICS - ENABLED 2013			STD
370-015	WATER TO OIL TRANSMISSION COOLER, IN RADIATOR END TANK			STD
346-003	TRANSMISSION OIL CHECK AND FILL WITH ELECTRONIC OIL LEVEL CHECK			STD
35T-001	SYNTHETIC TRANSMISSION FLUID (TES-295 COMPLIANT)			STD

Front Axle and Equipment

400-1A8	DETROIT DA-F-14.7-3 14,700# FF1 71.5 KPI/3.74 DROP SINGLE FRONT AXLE			\$980.00
402-049	MERITOR 16.5X5 Q+ CAST SPIDER CAM FRONT BRAKES, DOUBLE ANCHOR, FABRICATED SHOES			N/C
403-002	NON-ASBESTOS FRONT BRAKE LINING			STD
419-023	CONMET CAST IRON FRONT BRAKE DRUMS			STD
427-001	FRONT BRAKE DUST SHIELDS	5		\$102.00
409-006	FRONT OIL SEALS			STD
408-001	VENTED FRONT HUB CAPS WITH WINDOW, CENTER AND SIDE PLUGS - OIL			STD
416-022	STANDARD SPINDLE NUTS FOR ALL AXLES			STD
405-002	MERITOR AUTOMATIC FRONT SLACK ADJUSTERS			STD



Prepared for:
 Mike Blacksher
 Nebraska Department of
 Transportation
 5001 S 14th Street
 P O Box 94759
 Lincoln, NE 68509
 Phone: 402-479-4319

Prepared by:
 Bill Collier
 TRUCK CENTER COMPANIES
 5701 ARBOR RD.
 LINCOLN, NE 68517
 Phone: 402-464-2444

Data Code	Description	Weight Front	Weight Rear	Retail Price
406-001	STANDARD KING PIN BUSHINGS			STD
536-012	TRW TAS-85 POWER STEERING	40		N/C
539-003	POWER STEERING PUMP			STD
534-015	2 QUART SEE THROUGH POWER STEERING RESERVOIR			STD
40T-002	SYNTHETIC 75W-90 FRONT AXLE LUBE			\$14.00
Front Suspension				
620-010	14,600# TAPERLEAF FRONT SUSPENSION	170		\$484.00
619-005	MAINTENANCE FREE RUBBER BUSHINGS - FRONT SUSPENSION			STD
410-001	FRONT SHOCK ABSORBERS			STD
Rear Axle and Equipment				
420-1K3	MT-40-14X 40,000# R-SERIES TANDEM REAR AXLE		2,500	\$10,339.00
421-478	4.78 REAR AXLE RATIO			N/C
424-001	IRON REAR AXLE CARRIER WITH STANDARD AXLE HOUSING			STD
386-074	MXL 176T MERITOR EXTENDED LUBE MAIN DRIVELINE WITH HALF ROUND YOKES	45	45	\$440.00
388-073	MXL 17T MERITOR EXTENDED LUBE INTERAXLE DRIVELINE WITH HALF ROUND YOKES			N/C
382-074	MXL 176T MERITOR EXTENDED LUBE INTERTRANSMISSION DRIVELINE WITH HALF ROUND YOKES	10		(\$5.00)
452-006	DRIVER CONTROLLED TRACTION DIFFERENTIAL - BOTH TANDEM REAR AXLES		30	\$1,244.00
878-023	(1) INTERAXLE LOCK VALVE, (1) DRIVER CONTROLLED DIFFERENTIAL LOCK FORWARD-REAR AND REAR-REAR AXLE VALVE			N/C
87A-001	BLINKING LAMP WITH EACH INTERAXLE LOCK SWITCH, INTERAXLE UNLOCK DEFAULT WITH IGNITION OFF			N/C
87B-004	BLINKING LAMP WITH EACH MODE SWITCH, DIFFERENTIAL UNLOCK WITH IGNITION OFF, ACTIVE <5 MPH			N/C
423-020	MERITOR 16.5X7 Q+ CAST SPIDER CAM REAR BRAKES, DOUBLE ANCHOR, FABRICATED SHOES			STD
433-002	NON-ASBESTOS REAR BRAKE LINING			STD
434-019	ASPHALT SPREADER CLEARANCE REAR BRAKE GEOMETRY			N/C
451-023	CONMET CAST IRON REAR BRAKE DRUMS			STD
425-002	REAR BRAKE DUST SHIELDS		10	\$116.00



Prepared for:
 Mike Blacksher
 Nebraska Department of
 Transportation
 5001 S 14th Street
 P O Box 94759
 Lincoln, NE 68509
 Phone: 402-479-4319

Prepared by:
 Bill Collier
 TRUCK CENTER COMPANIES
 5701 ARBOR RD.
 LINCOLN, NE 68517
 Phone: 402-464-2444

Data Code	Description	Weight Front	Weight Rear	Retail Price
440-006	REAR OIL SEALS			STD
426-1B3	BENDIX EVERSURE LONGSTROKE 2-DRIVE AXLES SPRING PARKING CHAMBERS		20	\$44.00
428-031	HALDEX AUTOMATIC REAR SLACK ADJUSTERS WITH STAINLESS STEEL CLEVIS PINS			\$99.00
41T-002	SYNTHETIC 75W-90 REAR AXLE LUBE			\$262.00
42T-001	STANDARD REAR AXLE BREATHER(S)			STD
Rear Suspension				
622-006	40,000# 4-SPRING FLAT LEAF REAR SUSPENSION		40	\$2,027.00
621-001	SPRING SUSPENSION - NO AXLE SPACERS			STD
431-001	STANDARD AXLE SEATS IN AXLE CLAMP GROUP			STD
624-011	52 INCH AXLE SPACING			N/C
623-001	HEAVY DUTY FORE/AFT CONTROL RODS			N/C
Brake System				
490-100	WABCO 4S/4M ABS WITHOUT TRACTION CONTROL			STD
871-001	REINFORCED NYLON, FABRIC BRAID AND WIRE BRAID CHASSIS AIR LINES			STD
904-001	FIBER BRAID PARKING BRAKE HOSE			STD
412-001	STANDARD BRAKE SYSTEM VALVES			STD
46D-002	STANDARD AIR SYSTEM PRESSURE PROTECTION SYSTEM			STD
413-002	STD U.S. FRONT BRAKE VALVE			STD
432-003	RELAY VALVE WITH 5-8 PSI CRACK PRESSURE, NO REAR PROPORTIONING VALVE			STD
480-083	WABCO SS-1200 PLUS AIR DRYER WITH INTEGRAL AIR GOVERNOR AND HEATER			STD
479-015	AIR DRYER FRAME MOUNTED			STD
460-001	STEEL AIR BRAKE RESERVOIRS			STD
477-004	PULL CABLES ON ALL AIR RESERVOIR(S)			\$3.00
Trailer Connections				
335-004	UPGRADED CHASSIS MULTIPLEXING UNIT			STD
Wheelbase & Frame				
545-525	5250MM (207 INCH) WHEELBASE			N/C
546-100	11/32X3-1/2X10-3/16 INCH STEEL FRAME (8.73MMX258.8MM/0.344X10.19 INCH) 120KSI	310	-80	\$836.00
552-054	2275MM (90 INCH) REAR FRAME OVERHANG			N/C



Prepared for:
 Mike Blacksher
 Nebraska Department of
 Transportation
 5001 S 14th Street
 P O Box 94759
 Lincoln, NE 68509
 Phone: 402-479-4319

Prepared by:
 Bill Collier
 TRUCK CENTER COMPANIES
 5701 ARBOR RD.
 LINCOLN, NE 68517
 Phone: 402-464-2444

Data Code	Description	Weight Front	Weight Rear	Retail Price
55W-008	FRAME OVERHANG RANGE: 81 INCH TO 90 INCH	-30	130	N/C
549-002	24 INCH INTEGRAL FRONT FRAME EXTENSION	115	-20	\$11.00
AC8-99D	CALC'D BACK OF CAB TO REAR SUSP C/L (CA) : 141.45 in			
AE8-99D	CALCULATED EFFECTIVE BACK OF CAB TO REAR SUSPENSION C/L (CA) : 138.45 in			
AE4-99D	CALC'D FRAME LENGTH - OVERALL : 362.16			
AM6-99D	CALC'D SPACE AVAILABLE FOR DECKPLATE : 141.45 in			
FSS-0LH	CALCULATED FRAME SPACE LH SIDE : 49.07 in			N/C
FSS-0RH	CALCULATED FRAME SPACE RH SIDE : 119.59 in			N/C
553-001	SQUARE END OF FRAME			STD
550-001	FRONT CLOSING CROSSMEMBER			STD
559-001	STANDARD WEIGHT ENGINE CROSSMEMBER			STD
562-001	STANDARD MIDSHIP #1 CROSSMEMBER(S)			STD
572-001	STANDARD REARMOST CROSSMEMBER			STD
565-001	STANDARD SUSPENSION CROSSMEMBER			STD
Chassis Equipment				
556-1E5	14 INCH PAINTED STEEL BUMPER			STD
574-001	BUMPER MOUNTING FOR SINGLE LICENSE PLATE			STD
551-007	GRADE 8 THREADED HEX HEADED FRAME FASTENERS			STD
Fuel Tanks				
204-156	100 GALLON/378 LITER ALUMINUM FUEL TANK - LH	20		\$295.00
218-006	25 INCH DIAMETER FUEL TANK(S)			STD
215-005	PLAIN ALUMINUM/PAINTED STEEL FUEL/HYDRAULIC TANK(S) WITH PAINTED BANDS			STD
212-007	FUEL TANK(S) FORWARD			STD
664-001	PLAIN STEP FINISH			STD
205-001	FUEL TANK CAP(S)			STD
122-1J1	DETROIT FUEL/WATER SEPARATOR WITH WATER IN FUEL SENSOR, HAND PRIMER AND 12 VOLT PREHEATER	-5		\$51.00
216-020	EQUIFLO INBOARD FUEL SYSTEM			STD
11F-998	NO NATURAL GAS VEHICLE FUEL TANK VENT LINE/STACK			STD



Prepared for:
 Mike Blacksher
 Nebraska Department of
 Transportation
 5001 S 14th Street
 P O Box 94759
 Lincoln, NE 68509
 Phone: 402-479-4319

Prepared by:
 Bill Collier
 TRUCK CENTER COMPANIES
 5701 ARBOR RD.
 LINCOLN, NE 68517
 Phone: 402-464-2444

Data Code	Description	Weight Front	Weight Rear	Retail Price
202-016	HIGH TEMPERATURE REINFORCED NYLON FUEL LINE			STD
Tires				
093-994	MICHELIN XZE 12R22.5 16 PLY RADIAL FRONT TIRES	50		\$356.00
094-1UY	MICHELIN X MULTI D 11R22.5 16 PLY RADIAL REAR TIRES (NORTH AMERICAN ONLY)		120	\$104.00
510-994	MICHELIN XZE 12R22.5 16 PLY RADIAL SPARE TIRE		134	\$895.00
Hubs				
418-060	CONMET PRESET PLUS PREMIUM IRON FRONT HUBS			STD
450-060	CONMET PRESET PLUS PREMIUM IRON REAR HUBS			STD
Wheels				
502-524	MAXION WHEELS 90541 22.5X8.25 10-HUB PILOT 6.20 INSET 2-HAND STEEL DISC FRONT WHEELS			(\$60.00)
505-524	MAXION WHEELS 90541 22.5X8.25 10-HUB PILOT 2-HAND STEEL DISC REAR WHEELS			(\$240.00)
511-524	MAXION WHEELS 90541 22.5X8.25 10-HUB PILOT 2-HAND STEEL DISC SPARE WHEEL		70	\$117.00
Cab Exterior				
829-1A5	108 INCH BBC FLAT ROOF ALUMINUM CONVENTIONAL CAB			STD
650-008	AIR CAB MOUNTING			STD
648-002	NONREMOVABLE BUGSCREEN MOUNTED BEHIND GRILLE			STD
667-004	FRONT FENDERS SET-BACK AXLE			STD
678-051	LH AND RH A-PILLAR AND B-PILLAR SAFETY YELLOW INTERIOR GRAB HANDLES			\$2.00
646-041	STATIONARY BLACK GRILLE			STD
65X-004	BLACK HOOD MOUNTED AIR INTAKE GRILLE			STD
644-006	FIBERGLASS HOOD WITH ACCESS HATCHES	10		\$682.00
690-002	TUNNEL/FIREWALL LINER			\$107.00
727-1AH	SINGLE 14 INCH ROUND POLISHED AIR HORN ROOF MOUNTED			STD
726-002	DUAL ELECTRIC HORNS			\$3.00
728-001	SINGLE HORN SHIELD			STD
657-1CV	DOOR LOCKS AND IGNITION SWITCH KEYED THE SAME WITH (4) KEYS			\$19.00



Prepared for:
 Mike Blacksher
 Nebraska Department of
 Transportation
 5001 S 14th Street
 P O Box 94759
 Lincoln, NE 68509
 Phone: 402-479-4319

Prepared by:
 Bill Collier
 TRUCK CENTER COMPANIES
 5701 ARBOR RD.
 LINCOLN, NE 68517
 Phone: 402-464-2444

Data Code	Description	Weight Front	Weight Rear	Retail Price
575-001	REAR LICENSE PLATE MOUNT END OF FRAME			STD
312-068	HALOGEN COMPOSITE HEADLAMPS WITH BLACK BEZELS			STD
302-001	(5) AMBER MARKER LIGHTS			STD
294-001	INTEGRAL STOP/TAIL/BACKUP LIGHTS			STD
300-015	STANDARD FRONT TURN SIGNAL LAMPS			STD
744-1BC	DUAL WEST COAST BRIGHT FINISH HEATED MIRRORS WITH LH AND RH REMOTE			\$286.00
797-001	DOOR MOUNTED MIRRORS			STD
796-001	102 INCH EQUIPMENT WIDTH			STD
743-204	LH AND RH 8 INCH BRIGHT FINISH CONVEX MIRRORS MOUNTED UNDER PRIMARY MIRRORS			N/C
729-001	STANDARD SIDE/REAR REFLECTORS			STD
768-043	63X14 INCH TINTED REAR WINDOW			STD
661-003	TINTED DOOR GLASS LH AND RH WITH TINTED NON-OPERATING WING WINDOWS			(\$137.00)
654-027	RH AND LH ELECTRIC POWERED WINDOWS, PASSENGER SWITCHES ON DOOR(S)	4		\$218.00
663-013	TINTED WINDSHIELD			STD
659-007	8 LITER WINDSHIELD WASHER RESERVOIR, CAB MOUNTED, WITHOUT FLUID LEVEL INDICATOR			STD

Cab Interior

707-1AK	OPAL GRAY VINYL INTERIOR			STD
706-013	MOLDED PLASTIC DOOR PANEL			STD
708-013	MOLDED PLASTIC DOOR PANEL			STD
772-006	BLACK MATS WITH SINGLE INSULATION			STD
691-008	FORWARD ROOF MOUNTED CONSOLE WITH UPPER STORAGE COMPARTMENTS WITHOUT NETTING			STD
694-010	IN DASH STORAGE BIN			STD
742-007	(2) CUP HOLDERS LH AND RH DASH			STD
680-006	GRAY/CHARCOAL FLAT DASH			STD
860-004	SMART SWITCH EXPANSION MODULE			\$206.00
700-002	HEATER, DEFROSTER AND AIR CONDITIONER			STD
701-001	STANDARD HVAC DUCTING			STD
703-005	MAIN HVAC CONTROLS WITH RECIRCULATION SWITCH			STD
170-015	STANDARD HEATER PLUMBING			STD



Prepared for:
 Mike Blacksher
 Nebraska Department of
 Transportation
 5001 S 14th Street
 P O Box 94759
 Lincoln, NE 68509
 Phone: 402-479-4319

Prepared by:
 Bill Collier
 TRUCK CENTER COMPANIES
 5701 ARBOR RD.
 LINCOLN, NE 68517
 Phone: 402-464-2444

Data Code	Description	Weight Front	Weight Rear	Retail Price
130-033	DENSO HEAVY DUTY AIR CONDITIONER COMPRESSOR			STD
702-002	BINARY CONTROL, R-134A			STD
739-034	PREMIUM INSULATION			\$190.00
285-013	SOLID-STATE CIRCUIT PROTECTION AND FUSES			STD
280-007	12V NEGATIVE GROUND ELECTRICAL SYSTEM			STD
324-014	DOMELIGHT WITH 3-WAY SWITCH ACTIVATED BY LH AND RH DOORS			STD
655-005	LH AND RH ELECTRIC DOOR LOCKS			\$99.00
284-023	(1) 12 VOLT POWER SUPPLY IN DASH			STD
756-1D9	PREMIUM HIGH BACK AIR SUSPENSION DRIVER SEAT WITH 3 CHAMBER AIR LUMBAR, INTEGRATED CUSHION EXTENSION, FORWARD AND REAR CUSHION TILT, ADJUSTABLE SHOCK ABSORBER	70		\$414.00
760-1D9	PREMIUM HIGH BACK AIR SUSPENSION PASSENGER SEAT WITH 3 CHAMBER AIR LUMBAR, INTEGRATED CUSHION EXTENSION, FORWARD AND REAR CUSHION TILT, ADJUSTABLE SHOCK ABSORBER	60	20	\$451.00
711-004	LH AND RH INTEGRAL DOOR PANEL ARMRESTS			STD
758-025	GRAY MORDURA CLOTH DRIVER SEAT COVER			\$25.00
761-025	GRAY MORDURA CLOTH PASSENGER SEAT COVER			\$25.00
763-101	BLACK SEAT BELTS			STD
532-002	ADJUSTABLE TILT AND TELESCOPING STEERING COLUMN	10		\$478.00
540-015	4-SPOKE 18 INCH (450MM) STEERING WHEEL			STD
765-002	DRIVER AND PASSENGER INTERIOR SUN VISORS			STD

Instruments & Controls

732-004	GRAY DRIVER INSTRUMENT PANEL			STD
734-004	GRAY CENTER INSTRUMENT PANEL			STD
870-001	BLACK GAUGE BEZELS			STD
486-001	LOW AIR PRESSURE INDICATOR LIGHT AND AUDIBLE ALARM			STD
840-002	2 INCH PRIMARY AND SECONDARY AIR PRESSURE GAUGES			STD
198-003	DASH MOUNTED AIR RESTRICTION INDICATOR WITH GRADUATIONS			\$40.00
721-001	97 DB BACKUP ALARM		3	\$47.00



Prepared for:
 Mike Blacksher
 Nebraska Department of
 Transportation
 5001 S 14th Street
 P O Box 94759
 Lincoln, NE 68509
 Phone: 402-479-4319

Prepared by:
 Bill Collier
 TRUCK CENTER COMPANIES
 5701 ARBOR RD.
 LINCOLN, NE 68517
 Phone: 402-464-2444

Data Code	Description	Weight Front	Weight Rear	Retail Price
149-013	ELECTRONIC CRUISE CONTROL WITH SWITCHES IN LH SWITCH PANEL			STD
156-007	KEY OPERATED IGNITION SWITCH AND INTEGRAL START POSITION; 4 POSITION OFF/RUN/START/ACCESSORY			STD
811-042	ICU3S, 132X48 DISPLAY WITH DIAGNOSTICS, 28 LED WARNING LAMPS AND DATA LINKED			STD
160-038	HEAVY DUTY ONBOARD DIAGNOSTICS INTERFACE CONNECTOR LOCATED BELOW LH DASH			STD
844-001	2 INCH ELECTRIC FUEL GAUGE			STD
148-003	PROGRAMMABLE RPM CONTROL - ELECTRONIC ENGINE			STD
856-001	ELECTRICAL ENGINE COOLANT TEMPERATURE GAUGE			STD
864-001	2 INCH TRANSMISSION OIL TEMPERATURE GAUGE			STD
830-017	ENGINE AND TRIP HOUR METERS INTEGRAL WITHIN DRIVER DISPLAY			STD
372-035	(1) DASH MOUNTED PTO SWITCH WITH INDICATOR LAMP	5		\$116.00
852-002	ELECTRIC ENGINE OIL PRESSURE GAUGE			STD
746-114	AM/FM/WB WORLD TUNER RADIO WITH AUXILIARY INPUT, J1939	10		\$274.00
747-001	DASH MOUNTED RADIO			N/C
750-002	(2) RADIO SPEAKERS IN CAB			N/C
753-001	AM/FM ANTENNA MOUNTED ON FORWARD LH ROOF			N/C
810-027	ELECTRONIC MPH SPEEDOMETER WITH SECONDARY KPH SCALE, WITHOUT ODOMETER			STD
817-001	STANDARD VEHICLE SPEED SENSOR			STD
812-001	ELECTRONIC 3000 RPM TACHOMETER			STD
162-011	IDLE LIMITER, ELECTRONIC ENGINE			N/C
81Y-001	PRE-TRIP LAMP INSPECTION, ALL OUTPUTS FLASH, WITH SMART SWITCH			\$12.00
836-015	DIGITAL VOLTAGE DISPLAY INTEGRAL WITH DRIVER DISPLAY			STD
660-008	SINGLE ELECTRIC WINDSHIELD WIPER MOTOR WITH DELAY			STD
304-001	MARKER LIGHT SWITCH INTEGRAL WITH HEADLIGHT SWITCH			STD
882-009	ONE VALVE PARKING BRAKE SYSTEM WITH WARNING INDICATOR			STD



Prepared for:
 Mike Blacksher
 Nebraska Department of
 Transportation
 5001 S 14th Street
 P O Box 94759
 Lincoln, NE 68509
 Phone: 402-479-4319

Prepared by:
 Bill Collier
 TRUCK CENTER COMPANIES
 5701 ARBOR RD.
 LINCOLN, NE 68517
 Phone: 402-464-2444

Data Code	Description	Weight Front	Weight Rear	Retail Price
299-013	SELF CANCELING TURN SIGNAL SWITCH WITH DIMMER, WASHER/WIPER AND HAZARD IN HANDLE			STD
298-039	INTEGRAL ELECTRONIC TURN SIGNAL FLASHER WITH HAZARD LAMPS OVERRIDING STOP LAMPS			STD

Design

065-000	PAINT: ONE SOLID COLOR			STD
---------	------------------------	--	--	-----

Color

980-5E0	CAB COLOR A: L0135EB YELLOW ELITE BC			N/C
986-020	BLACK, HIGH SOLIDS POLYURETHANE CHASSIS PAINT			STD
962-972	POWDER WHITE (N0006EA) FRONT WHEELS/RIMS (PKWHT21, TKWHT21, W, TW)			STD
966-972	POWDER WHITE (N0006EA) REAR WHEELS/RIMS (PKWHT21, TKWHT21, W, TW)			STD
96F-972	POWDER WHITE (N0006EA) SPARE WHEEL/RIM (PKWHT21, TKWHT21, W, TW)			N/C
964-6Z7	BUMPER PAINT: FP24812 ARGENT SILVER DUPONT FLEX			N/C
963-003	STANDARD E COAT/UNDERCOATING			STD

Certification / Compliance

996-001	U.S. FMVSS CERTIFICATION, EXCEPT SALES CABS AND GLIDER KITS			STD
---------	---	--	--	-----

Secondary Factory Options

998-032	CORPORATE PDI CENTER OPTION INSTALLATION/MODIFICATION ONLY			N/C
---------	--	--	--	-----

Sales Programs

NO SALES PROGRAMS HAVE BEEN SELECTED

TOTAL VEHICLE SUMMARY

Weight Summary

	Weight Front	Weight Rear	Total Weight
Factory Weight ⁺	7854 lbs	6805 lbs	14659 lbs
Total Weight⁺	7854 lbs	6805 lbs	14659 lbs



Prepared for:
Mike Blacksher
Nebraska Department of
Transportation
5001 S 14th Street
P O Box 94759
Lincoln, NE 68509
Phone: 402-479-4319

Prepared by:
Bill Collier
TRUCK CENTER COMPANIES
5701 ARBOR RD.
LINCOLN, NE 68517
Phone: 402-464-2444

ITEMS NOT INCLUDED IN ADJUSTED LIST
PRICE

Other Factory Charges

PMU-017	2016 OBD/2010 EPA/CARB/GHG17 ESCALATOR	\$300.00
P73-2FT	STANDARD DESTINATION CHARGE	\$2,050.00

(+) Weights shown are estimates only.

If weight is critical, contact Customer Application Engineering.

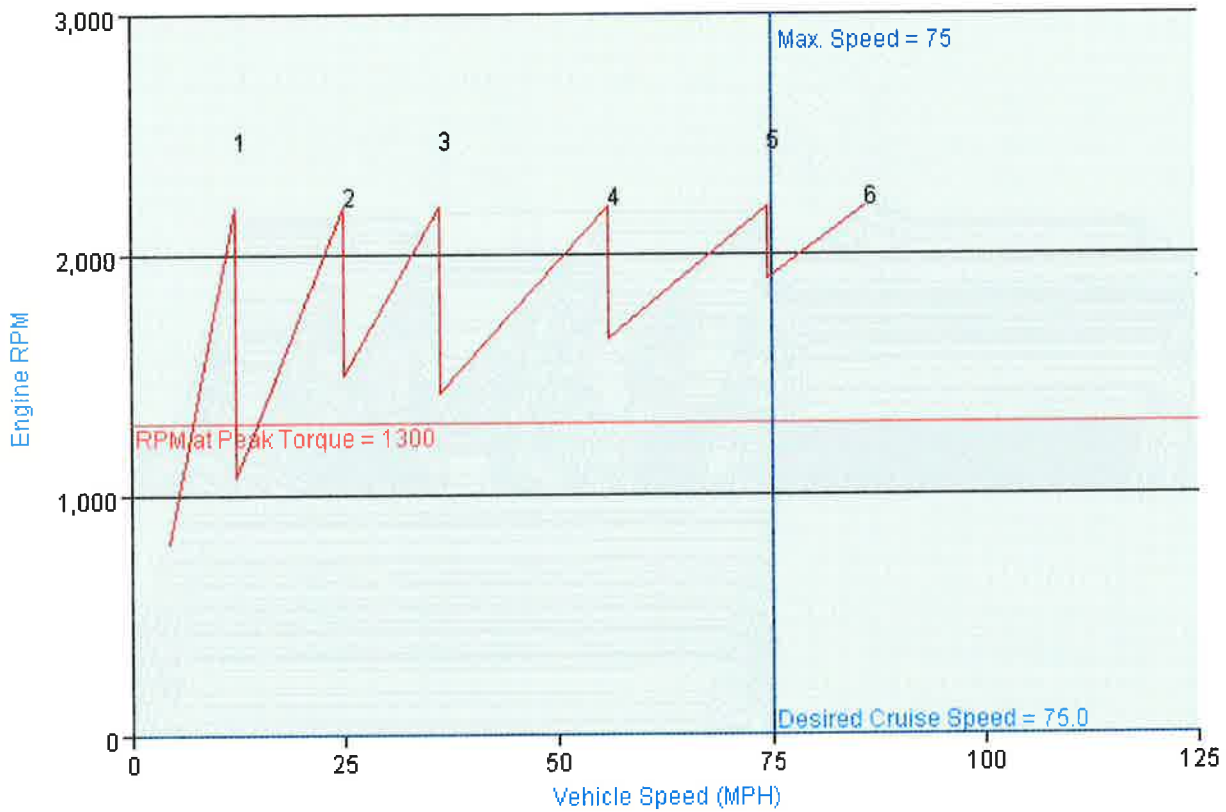
(**) Prices shown do not include taxes, fees, etc... "Net Equipment Selling Price" is located on the Quotation Details Proposal Report.



Prepared for:
 Mike Blacksher
 Nebraska Department of
 Transportation
 5001 S 14th Street
 P O Box 94759
 Lincoln, NE 68509
 Phone: 402-479-4319

Prepared by:
 Bill Collier
 TRUCK CENTER COMPANIES
 5701 ARBOR RD.
 LINCOLN, NE 68517
 Phone: 402-464-2444

SHIFT CHART



VEHICLE SPECIFICATIONS SUMMARY - SHIFT CHART

Cab Size (829).....	108 INCH BBC FLAT ROOF ALUMINUM CONVENTIONAL CAB
Desired Cruise Speed (mph).....	75.0
Engine (101).....	CUM L9 300 HP @ 2000 RPM, 2200 GOV RPM, 860 LB/FT @ 1300 RPM
RPM at Peak Torque	1300



Prepared for:
 Mike Blacksher
 Nebraska Department of
 Transportation
 5001 S 14th Street
 P O Box 94759
 Lincoln, NE 68509
 Phone: 402-479-4319

Prepared by:
 Bill Collier
 TRUCK CENTER COMPANIES
 5701 ARBOR RD.
 LINCOLN, NE 68517
 Phone: 402-464-2444

Governed RPM.....	2200
Transmission (342).....	ALLISON 3500 RDS AUTOMATIC TRANSMISSION WITH PTO PROVISION
Gear Ratio: LL.....	N/A
Gear Ratio: L.....	N/A
Gear Ratio: 1.....	4.59
Gear Ratio: 2.....	2.25
Gear Ratio: 3.....	1.54
Gear Ratio: 4.....	1
Gear Ratio: 5.....	0.75
Gear Ratio: 6.....	0.65
Gear Ratio: 7.....	N/A
Gear Ratio: 8.....	N/A
Gear Ratio: 9.....	N/A
Gear Ratio: 10.....	N/A
Gear Ratio: 11.....	N/A
Gear Ratio: 12.....	N/A
Gear Ratio: 13.....	N/A
Gear Ratio: 14.....	N/A
Gear Ratio: 15.....	N/A
Gear Ratio: 16.....	N/A
Gear Ratio: 17.....	N/A
Gear Ratio: 18.....	N/A
Auxiliary Transmission (352).....	CUSTOM AUXILIARY TRANSMISSION
Low Gear Ratio.....	N/A
High Gear Ratio.....	N/A
Transfer Case (373).....	NO TRANSFER CASE
Low Gear Ratio.....	N/A
High Gear Ratio.....	N/A
Rear Axle (420).....	MT-40-14X 40,000# R-SERIES TANDEM REAR AXLE
Number of Speeds.....	1
Rear Axle Gear Ratio(s).....	4.78 REAR AXLE RATIO
Rear Tires (094).....	MICHELIN X MULTI D 11R22.5 16 PLY RADIAL REAR TIRES (NORTH AMERICAN ONLY)
Revolutions per Mile.....	494

TABLE SUMMARY - SHIFT CHART



Prepared for:
 Mike Blacksher
 Nebraska Department of
 Transportation
 5001 S 14th Street
 P O Box 94759
 Lincoln, NE 68509
 Phone: 402-479-4319

Prepared by:
 Bill Collier
 TRUCK CENTER COMPANIES
 5701 ARBOR RD.
 LINCOLN, NE 68517
 Phone: 402-464-2444

Transmission Gear	Transmission Gear Ratio	Rear Axle Ratio	Overall Gear Ratio	Percent Split	RPM After Shift	MPH at Peak Torque RPM	MPH at Governed
1	4.59	4.78	21.94	N/A	800	7.2	12.2
2	2.25	4.78	10.76	104.0	1078	14.7	24.8
3	1.54	4.78	7.36	46.1	1506	21.4	36.3
4	1.00	4.78	4.78	54.0	1429	33.0	55.9
5	0.75	4.78	3.58	33.3	1650	44.0	74.5
6	0.65	4.78	3.11	15.4	1907	50.8	86.0

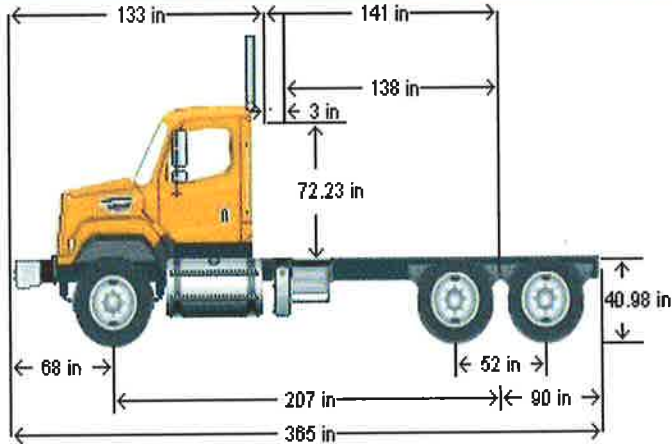
Performance calculations are estimates only. If performance calculations are critical, please contact Customer Application Engineering.



Prepared for:
 Mike Blacksher
 Nebraska Department of
 Transportation
 5001 S 14th Street
 P O Box 94759
 Lincoln, NE 68509
 Phone: 402-479-4319

Prepared by:
 Bill Collier
 TRUCK CENTER COMPANIES
 5701 ARBOR RD.
 LINCOLN, NE 68517
 Phone: 402-464-2444

D I M E N S I O N S



VEHICLE SPECIFICATIONS SUMMARY - DIMENSIONS

Wheelbase (545)	5250MM (207 INCH) WHEELBASE
Rear Frame Overhang (552)	2275MM (90 INCH) REAR FRAME OVERHANG
Fifth Wheel (578)	NO FIFTH WHEEL
Mounting Location (577)	NO FIFTH WHEEL LOCATION
Maximum Forward Position (in)	0
Maximum Rearward Position (in)	0
Amount of Slide Travel (in)	0
Slide Increment (in)	0
Desired Slide Position (in)	0.0
Cab Size (829)	108 INCH BBC FLAT ROOF ALUMINUM CONVENTIONAL CAB
Sleeper (682)	NO SLEEPER BOX/SLEEPER CAB
Exhaust System (016)	RH OUTBOARD UNDER STEP MOUNTED HORIZONTAL AFTERTREATMENT SYSTEM ASSEMBLY WITH RH B-PILLAR MOUNTED VERTICAL TAILPIPE

TABLE SUMMARY - DIMENSIONS



Prepared for:
 Mike Blacksher
 Nebraska Department of
 Transportation
 5001 S 14th Street
 P O Box 94759
 Lincoln, NE 68509
 Phone: 402-479-4319

Prepared by:
 Bill Collier
 TRUCK CENTER COMPANIES
 5701 ARBOR RD.
 LINCOLN, NE 68517
 Phone: 402-464-2444

Dimensions	Inches
Bumper to Back of Cab (BBC)	133.3
Bumper to Centerline of Front Axle (BA)	67.7
Min. Cab to Body Clearance (CB)	3.0
Back of Cab to Centerline of Rear Axle(s) (CA)	141.4
Effective Back of Cab to Centerline of Rear Axle(s) (Effective CA)	138.4
Back of Cab Protrusions (Exhaust/Intake) (CP)	0.0
Back of Cab Protrusions (Side Extenders/Trim Tab) (CP)	0.0
Back of Cab Protrusions (CNG Tank)	0.0
Back of Cab Clearance (CL)	3.0
Back of Cab to End of Frame	231.4
Cab Height (CH)	72.2
Wheelbase (WB)	207.0
Frame Overhang (OH)	90.0
Overall Length (OAL)	364.7
Rear Axle Spacing	52.0
Unladen Frame Height at Centerline of Rear Axle	41.0

Performance calculations are estimates only. If performance calculations are critical, please contact Customer Application Engineering.



Prepared for:
 Mike Blacksher
 Nebraska Department of
 Transportation
 5001 S 14th Street
 P O Box 94759
 Lincoln, NE 68509
 Phone: 402-479-4319

Prepared by:
 Bill Collier
 TRUCK CENTER COMPANIES
 5701 ARBOR RD.
 LINCOLN, NE 68517
 Phone: 402-464-2444

FRAME RBM

VEHICLE SPECIFICATIONS SUMMARY - FRAME RBM

Wheelbase (545) 5250MM (207 INCH) WHEELBASE
 Frame Rails (546)..... 11/32X3-1/2X10-3/16 INCH STEEL FRAME (8.73MMX258.8MM/0.344X10.19 INCH) 120KSI(546)
 Yield Strength (psi) 120000
 Section Modulus (per rail) (cu in)..... 15.069
 RBM (per rail) (lbf-in) 1808400
 Inner Frame Reinforcement (547) NO INNER FRAME REINFORCEMENT
 Outer Frame Reinforcement (548) NO OUTER FRAME REINFORCEMENT

TABLE SUMMARY - FRAME RBM

Item	Description / Value
Wheelbase	5250MM (207 INCH) WHEELBASE
Frame	11/32X3-1/2X10-3/16 INCH STEEL FRAME (8.73MMX258.8MM/0.344X10.19 INCH) 120KSI
Inner Frame Reinforcement	NO INNER FRAME REINFORCEMENT
Outer Frame Reinforcement	NO OUTER FRAME REINFORCEMENT
Yield Strength (psi)	120000
Section Modulus - per rail (cu. in.)	15.07
Frame RBM - per rail (lbf-in)	1808400

Performance calculations are estimates only. If performance calculations are critical, please contact Customer Application Engineering.



Freightliner (FTL)



Run Smart™

Freightliner SD Vocational

Applicable Models:	108SD/114SD
SD Vocational Coverage is only available for vehicles ordered with the following engines:	Cummins B, C, or L
SD Vocational Coverage is not available for vehicles in these vocations:	Logging, Mining, Oil Field
Category Determinants	
Road Surface — most severe in-transit between sites	<30% off-highway rough, maintained concrete/asphalt; maintained gravel/crushed rock; maintained dirt or soft soil (Class C or D roads) ¹
GCW	92,000 lb/41 730 kg or less
Axles and Their Manufacturer's GVW Rating	
2-axle unit	46,000 lb/20 865 kg or less
3-axle unit	66,000 lb/29 937 kg or less
4-axle unit	N/A
5-axle unit	N/A

¹Class C roads have a natural surface and may be either constructed or established over time by repeated passage of vehicles. The natural surface may be dirt, sand, or rock. A minimal amount of maintenance, if any at all, is limited primarily to spot surface grading to allow vehicle passage within the original road corridor. Class D roads are primitive roads that were not constructed but have been established over time by the passage of motor vehicles. These roads receive no maintenance or grading.

Coverage ²		
Description	Time ³	Distance ³
Basic Vehicle	2 Years	Unlimited
Battery	1 Year	100,000 mi/161 000 km
Brightwork	6 Months	Unlimited
Cab Corrosion/Perforation	5 Years	Unlimited
Cab Structure	5 Years	Unlimited
Corrosion	6 Months	Unlimited
Crossmembers	5 Years	Unlimited
Diesel Emission 2010 ⁴	5 Years	100,000 mi/161 000 km
Frame Rails	5 Years	Unlimited
GHG14 ⁵ (Medium Heavy Duty to Heavy Heavy Duty Trucks)	5 Years	100,000 mi/161 000 km
GHG14 ⁵ (Medium Heavy Duty to Heavy Heavy Duty Tractors)	5 Years	100,000 mi/161 000 km
GHG14 ⁵ Tire	2 Years	24,000 mi/38 400 km
Paint	1 Year	100,000 mi/161 000 km
Paint, Chassis	6 Months	Unlimited
Front Axle ⁶	2 Years	Unlimited
Rear Axle	2 Years	Unlimited
Transfer Case	2 Years	Unlimited
Transmission	2 Years	Unlimited
Detroit Front Axle ⁶ (File Direct)		
Pre-Model Year 2011 ⁷	2 Years	Unlimited
Post-Model Year 2011 ⁸	3 Years	300,000 mi/483 000 km
Detroit Rear Axle (File Direct)		
Pre-Model Year 2011 ⁷	2 Years	Unlimited

Warranty Statement & Warranty Coverage Descriptions follow on page three of this document.

The information provided in this document is for general information only and is not offered as customer's warranty.

Page 1 of 9

This coverage may be superseded without notification.

Effective: 8/14/2014

Copyright © Daimler Trucks North America LLC. All rights reserved. Daimler Trucks North America LLC is a Daimler company.

Specification Sheet

Quote : 0032359-00

Custom Built For:

Date : 01/10/2018

STATE OF NEBRASKA

DISTRIBUTOR	
MODEL	CENTENNIAL
TANK SIZE	3,000 GALLONS
TANK CODE	MEETS DOT 49CFR173.247
FIBERGLASS INSULATION 2"	.040" ALUMINUM JACKETING
MANHOLE 20" WITH INTERNAL OVERFLOW	NON-RELIEVING
SAMPLE VALVE	LOCATED IN REAR HEAD
LADDER	WALKWAY TO MANHOLE
TANK GAUGE	FRONT AND REAR, 50 GALLON INCREMENTS
THERMOMETER	4" DIAL
CIRCULATION SYSTEM	400 GPM PUMP
HEATED PUMP	FROM TRUCK COOLING SYSTEM
VALVES/CONTROLS	4-WAY ASPHALT VALVE AND SUCKBACK VALVES (WITH TOUCH PAD IN BOX AT REAR)
SELF FLUSHING SYSTEM	INCLUDES FUEL OIL TANK AND LINE
POWER WASHDOWN SYSTEM	W/ HOSE & WAND
SPRAY BAR - CAB CONTROL	12' BAR, 1' ON/OFF CONTROL (P/N 3352205 NOZZLES)
SPRAY BAR EXTENSIONS	1' W/ELECTRIC-AIR ON/OFF (14' TOTAL BAR LENGTH)
SPRAY BAR - CAB CONTROL	POWER SHIFT, LIFT AND WING FOLD
POWERED BAR LATCH	CONTROL AT REAR
HYDROSTATIC DRIVE	OFF CRANKSHAFT PTO (TRUCK MUST ACCEPT)
CONTROLS/INSTRUMENTATION	CONTROLLED BY BT-1 COMPUTER WITH FRONT AND REAR DISPLAYS
TOOL BOX	SIDE OPENING WITH FLUSH-TYPE LOCK
HEATING SYSTEM	(2) FLUES, (2) BURNERS WITH DIGITAL TEMPERATURE READOUT, THERMOSTATICALLY CONTROLLED SHUT DOWN, OUTFIRE PROTECTION, TRAVEL LOCK OUT
HEATING SYSTEM	(2) FLUES, (2) FUEL OIL BURNERS
PAINT	ALL STEEL PARTS BLACK

Specification Sheet

Custom Built For:

STATE OF NEBRASKA

HANDSPRAY ASSEMBLY	WITH 25' X 1" RUBBER HOSE
HOSE REEL (MANUAL CRANK)	FOR HANDSPRAY HOSE
WET STORAGE BOX	W/HINGED COVER & DRAIN PLUG
CONE TYPE STRAINER	IN FILL LINE
3" CAMLOCK FITTINGS	TO CONNECT LOAD HOSE TO FILL LINE
LIGHTING SYSTEM	L.E.D. SEALED
BOTTOM CLEANOUT	
15' X 3" RUBBER FILL HOSE	W/3" MALE THREAD EACH END
TWO SETS MANUALS	OPERATION, MAINTENANCE, SAFETY & PARTS



ESTABLISHED 1898
INCORPORATED 1917

E. D. ETNYRE & CO., Oregon, Illinois 61061-9778

1333 South Daysville Road • Phone 815/732-2116
Fax: Main Office 815-732-4277, Sales & Service 815-732-7400
Web Site: www.etnyre.com • E Mail: sales@etnyre.com

WARRANTY

E. D. Etnyre & Co. warrants to the original Purchaser, it's new product to be free from defects in material and workmanship for a period of twelve (12) months after date of delivery to original Purchaser. The obligation of the Company is limited to repairing or replacing any defective part returned to the Company and will not be responsible for consequential damages or any further loss by reason of such defect.

The company excludes all implied warranties of merchantability and fitness for a particular purpose. There are no warranties, express or implied, which extend beyond the description of the goods contained in this contract.

This warranty does not obligate the Company to bear the cost of machine transportation in connection with the replacement or repair of defective parts, nor does it guarantee repair or replacement of any parts on which unauthorized repairs or alterations have been made or for components not manufactured by the Company except to the extent of the warranty given by the original Manufacturer.

This warranty does not apply to:

- (1) Normal startup services, normal maintenance services or adjustments usually performed by the selling dealer, factory service representative or customer personnel.
- (2) Any product manufactured by E. D. Etnyre & Co. purchased or subjected to rental use.
- (3) Any product or part thereof which shows improper operation, improper maintenance, abuse, neglect, damage or modification after shipment from factory.
- (4) Any product or part thereof damaged or lost in shipment. Inspection for damage should be made before acceptance or signing any delivery documents releasing responsibility of the delivering carrier.

This warranty and foregoing obligations are in lieu of all other obligations and liabilities including negligence and all warranties of merchantability or otherwise, express or implied in fact or by law.

ETNYRE

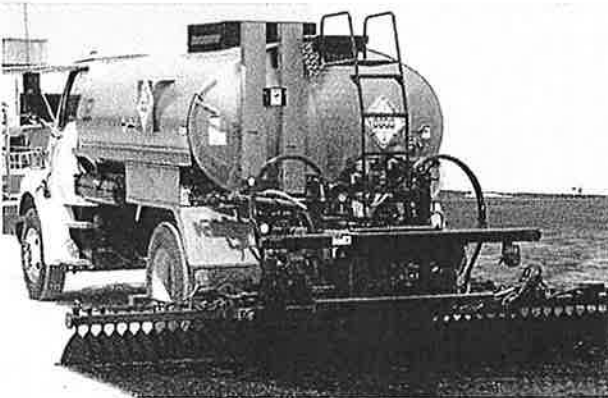
BLACK-TOPPER[®]

Centennial Series

Asphalt Distributor



Setting the Standard



- Improved control and less maintenance. Electronic asphalt pump speed control provides superior dependability and more precise control than manual systems.
- The application rate is automatically maintained even with variations in truck speed at any spray width.
- One person operation. All spraying functions can be controlled from the truck cab.
- Duplicate controls for stationary functions are located at the rear of the distributor.
- Application is precise. There is no by-pass valve in the circulating system. Material that goes through the pump goes through the spray nozzles.
- Spray bar is fully balanced when spraying for unbeatable accuracy.
- Balanced, dual feed asphalt flow while spraying insures uniform application across the full bar.
- Custom built tank sizes.
- Designed to meet federal regulations for hot products.

Clean, uncomplicated design exclusive to Etnyre

Dished and flanged surge plates and heads are double welded to tank shell for extra strength and durability. Full box saddle type bolsters evenly distribute stresses and allow for thermal expansion.

Proven Etnyre 400 G.P.M asphalt pump designed and built by Etnyre specifically for handling asphalt and asphalt emulsions.

Change spray width from the cab. An available spray bar control package features individual cab controls for each one foot section of spray bar.

Self flushing system cleans the entire compact, easy to clean circulating system with a minimum amount of flushing oil.

Fuel Oil or LPG Burners



Radar speed sensing provides precise measurement of ground speed and distance.

Better circulation, faster heating, faster starts and improved handling of special asphalts with Etnyre's large cross-section, "obstructionless" spray bar. Tapered, self-draining valve design leaves no asphalt slug to clog the valve.

Exclusive Vacu-Flo suck back system clears asphalt from the lowest point in the system without reversing the asphalt pump or back-flushing the suction screen.

Safe, solid and dependable all pipe circulating system delivers material efficiently to the spray bar. No flexible steel or rubber lines. Leak free, machined ball joints with O-ring seals allow freedom of movement and reduce maintenance.

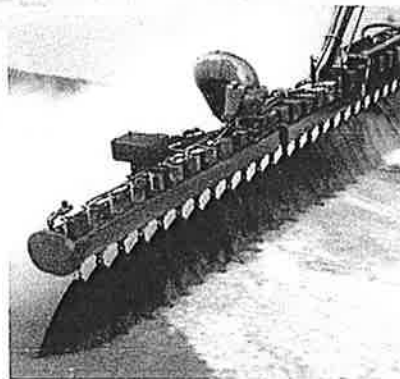
Proven performance – unbeatable accuracy



The total package – capable and dependable, the Etnyre Centennial Series asphalt distributor is built to stay solidly on the job year after year.



**FULL
CAB CONTROL**

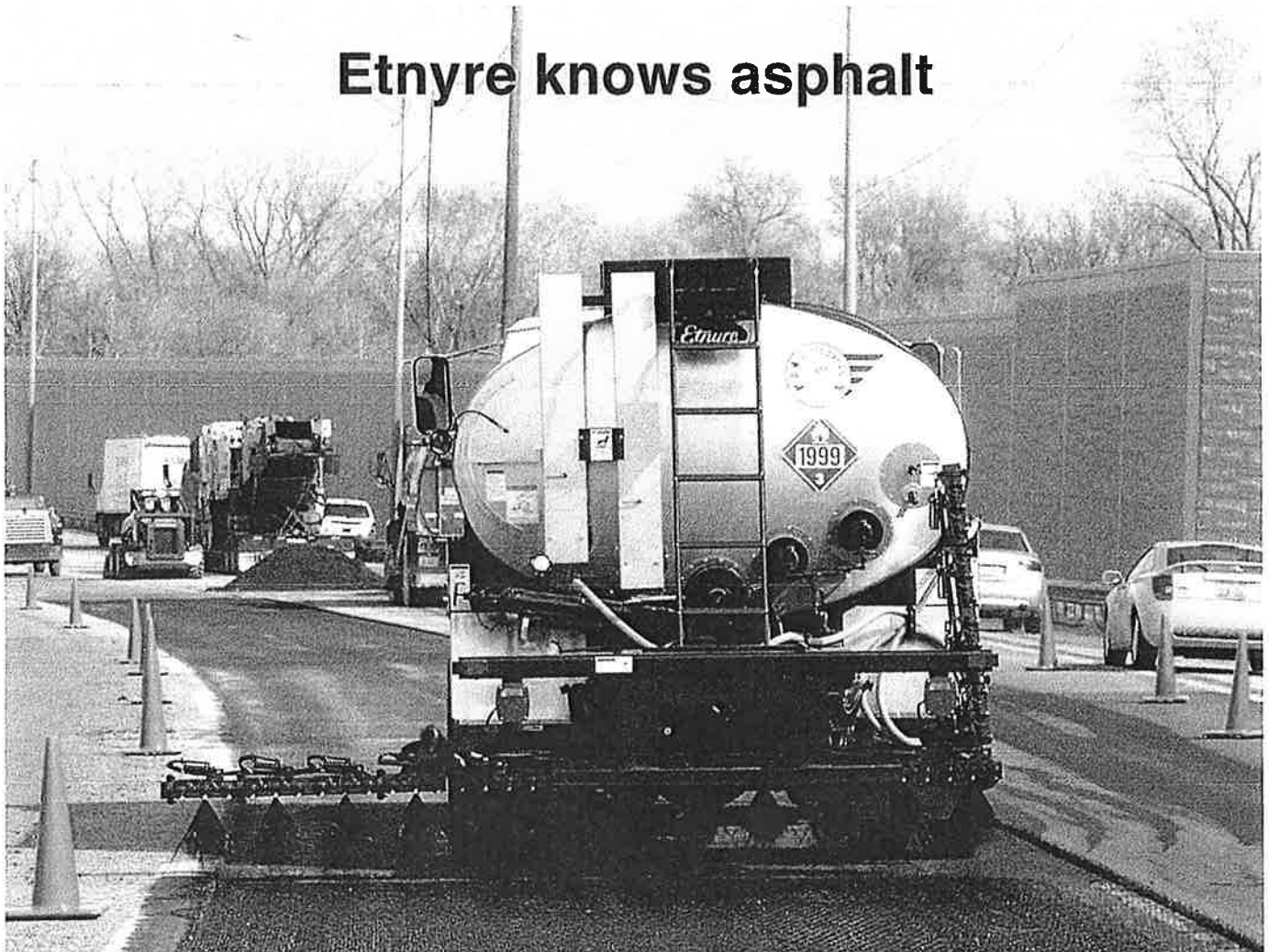


**SOLID PIPE
CIRCULATING SYSTEM**



**FASTER HEATING
FASTER STARTS**

Etnyre knows asphalt



Established in 1898, we grew up with the industry.
Etnyre dependability, innovation, and dedication to our
customers earned our reputation as "standard of the industry".



**PRECISE
CONTROL**



**SUPERIOR
DEPENDABILITY**



**CUSTOM BUILT
TANK SIZES**

Time saving performance

Combining individual spray bar controls with the application rate computer provides time saving variable width capabilities with the flick of a switch from the cab.



Control panel with computerized application rate control and spray controlled in 1' increments.



Computer screen displays information simultaneously

Automatically maintain the pre-set application rate

- Change speed and/or adjust spray width using control panel switches and the control automatically maintains the pre-set application rate.
- A built-in self diagnostic program monitors the control circuits.



Rear control panel (shown with optional display).

Productivity is maximized with computerized application rate and in-cab spray bar controls

- The Etnyre computer automatically matches pump output to distributor speed. Enter the desired application rate and the computer maintains that rate regardless of distributor speed, bar width or transmission gear changes during operation.
- No switching between displays for information. The computer screen displays application rate, gallons per minute and feet traveled simultaneously on one screen.
- Store ten different application rates in memory and recall them with the push of a button.
- The pumping rate can be adjusted for loading and circulating without changing the desired spray or application rates.

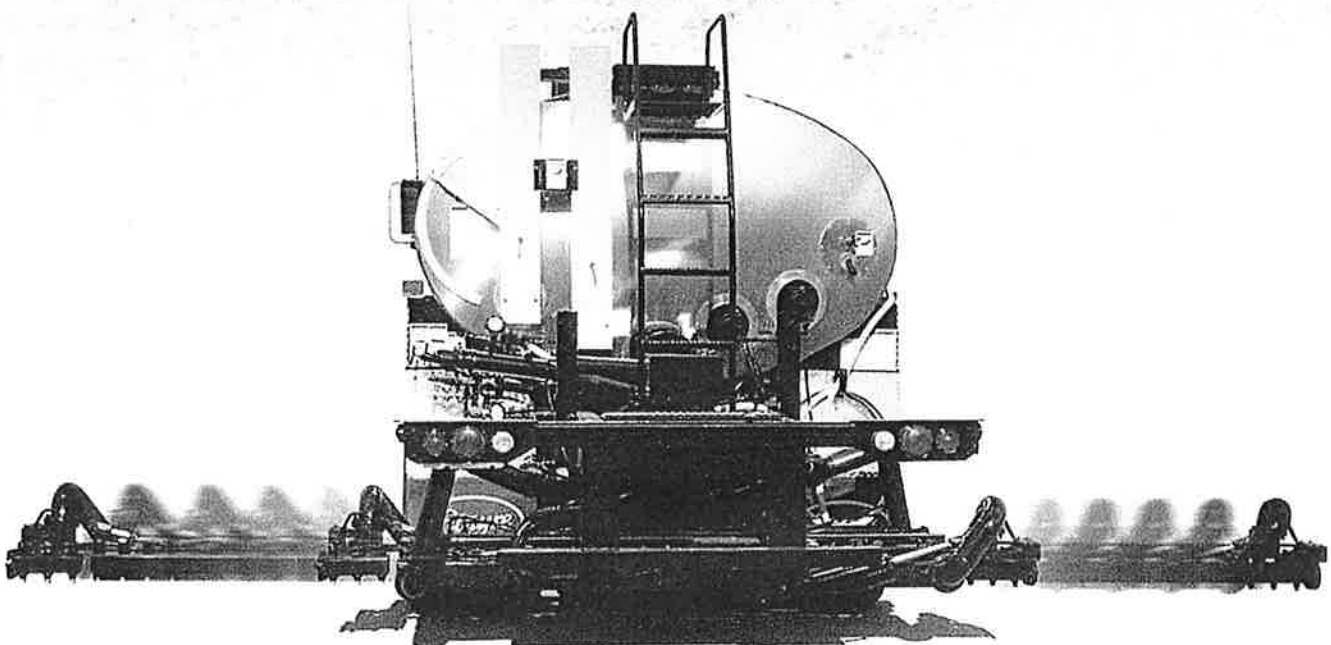


Variable Width Sliding Spray Bar

Available as optional equipment



- Cab control.
- Infinitely variable bar widths.
- 4" width controls.
- No excess bar beyond shot width.
- Solid pipe ... no flexible asphalt hoses.
- Side shift capabilities.
- Up to 24' wide shots. Available in 18' or 24' configurations.





The standard of the industry for more than 100 years.

For additional information on the Etnyre Centennial series asphalt distributors, request the following information:

- A-101--- Black-Topper Centennial Features
- A-142--- Designing A Distributor Booklet
- V-101--- Etnyre Black-Toppers Video

Distributed By:

E. D. Etnyre & Co., whose policy is one of continuous improvement, reserves the right to change specifications without notice. Photos and illustrations contain standard and optional equipment.



E. D. ETNYRE & CO.,
1333 South Daysville Road, Oregon, Illinois 61061
Phone: 800-995-2116 or 815/732-2116 • Fax 815-732-7400
Web Site: www.etnyre.com • E Mail: sales@etnyre.com

Litho in U.S.A. Supersedes L-101-12 L-101-17